

3 Channel Dive Light Controller



Electrical Specifications

Input Voltage	110VAC or 220VAC (needs to be specified at order) – 50/60Hz
Output Voltage	8V (0%) - 13V (100%) adjustable per channel
Power draw	max 160W from mains
Maximum load	50W per channel
Fuses	4 resettable fuses (mains and each channel)
Instruments	digital and analog gauge readout per channel
Connections	breakout on the right side of the case 1 x Hirschmann CA3GS mains bulkhead 3 x MCBH2F light bulkhead

Mechanical Specifications

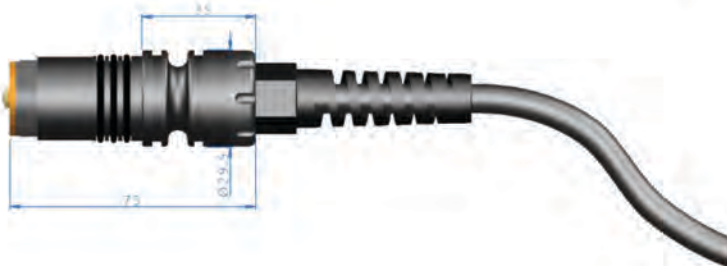
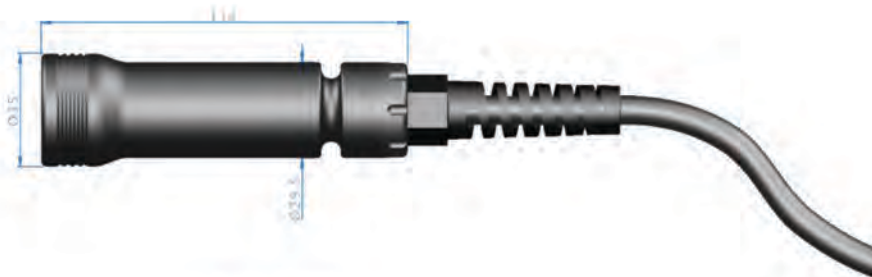
Panel	201 x 258mm solid 3mm aluminum IP65
Case	Seahorse SE300 Yellow 274 x 248 x 123mm IP67 and MIL-STD810F 512.4 2 padlock holes
Total weight	4.56kg



Umbilical 1m

Material Specifications

Clamp	Polyacetal POM
Depth rating	250 m, 26 BAR
Weight	290g

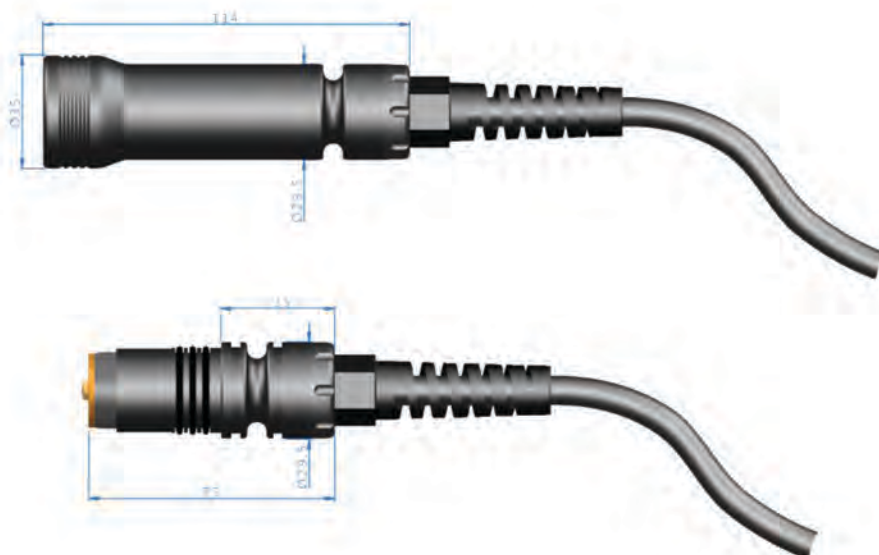


Umbilical 0.5m

Material Specifications

Clamp
Depth rating
Weight

Polyacetal POM
250 m, 26 BAR
240g



Quadristar 900 UMB 40° P



Electrical Specifications

Voltage	8V (0%) - 13V (100%)
Connection	1,3m umbilical ended with Triple O-ring Sealing Plug
Power	14W @ full power
Emitter	4 x Cree XP-G
Driver	Microprocessor controlled PWM 0 - 100% linear dimming with GFI Dive Light Controller Thermal protection

Material Specifications

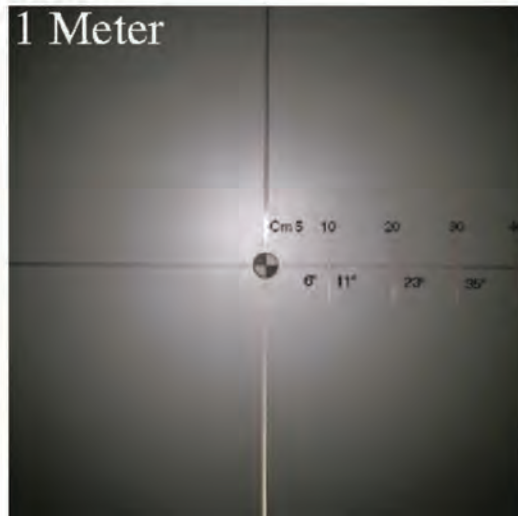
Body Treatment	Aluminum AA6023 AlMgSiSnBi Black Hard anodization MIL-A-8625 Type III with Surlon MIL-A-63576 coating
Optics	High efficiency Polycarbonate
Front Lens	10mm BK7 glass
Depth rating	250 m, 26 BAR
Weight	260g including cable and TOS plug



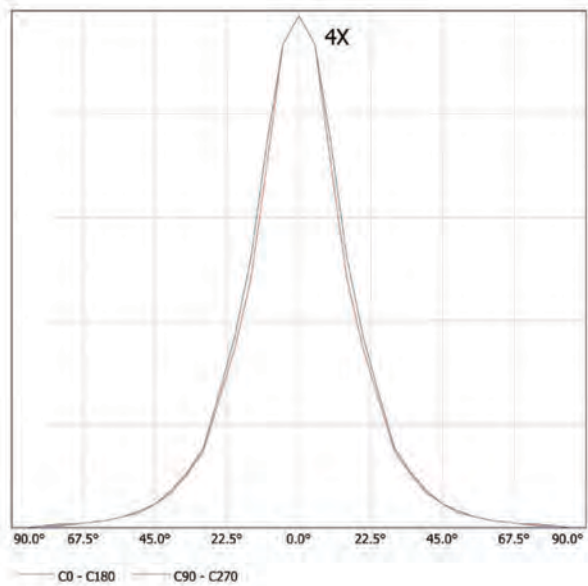
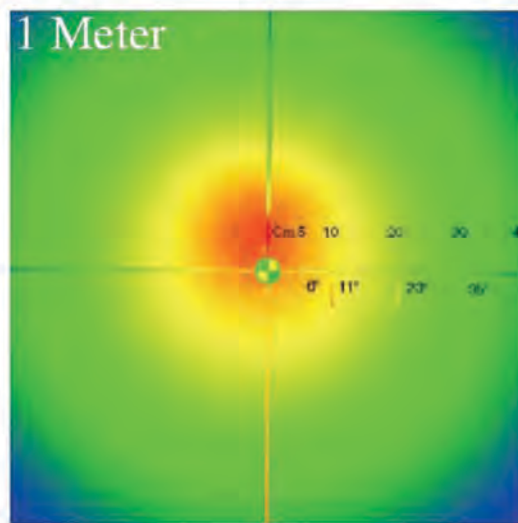
Optical Specifications

Luminous Flux	900 lumen @ 12V
Illuminance	1550 lux @ 1m
Beam Angle	40°
Color	5200K

Beamshot



Spectro Metric Analysis



MARIN FOTO

Knappevegen 24, 5337 RONG - NORWAY

Tlf: 92 02 32 48

www.marinfoto.no
marin@uvfoto.com



Quadristar 900 UMB 40° B



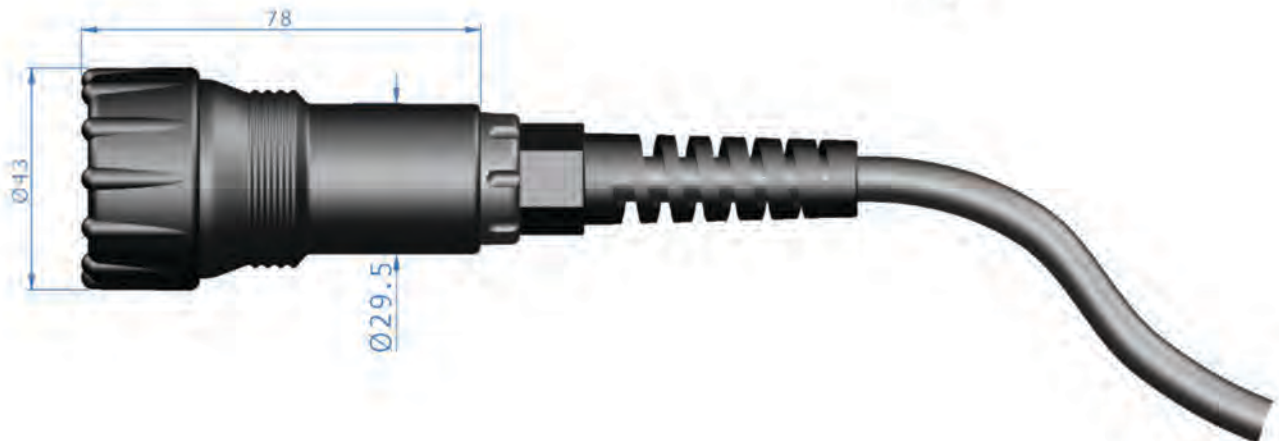
Electrical Specifications

Voltage	4 - 15V	
Connection	1,3m umbilical ended with Triple O-ring Sealing Plug	
Power	14W @ 12V	
Emitter	4 x Cree XP-G	
Driver	Multi-voltage 4 - 15V Microprocessor controlled PWM 100% and 50% dimmable Thermal protection Battery deep discharge protection 'Bring Me Home' mode	

Battery Burn Time	GFI I 12V 2.1Ah	100min
	GFI II 12V 4.5Ah	200min
	GFI III 12V 9Ah	400min

Material Specifications

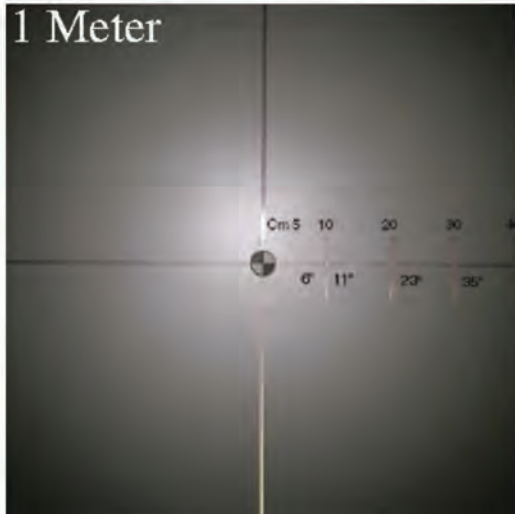
Body Treatment	Aluminum AA6023 AlMgSiSnBi Black Hard anodization MIL-A-8625 Type III with Surlon MIL-A-63576 coating
Optics Front Lens	High efficiency Polycarbonate 10mm BK7 glass
Depth rating	250 m, 26 BAR
Weight	260g including cable and TOS plug



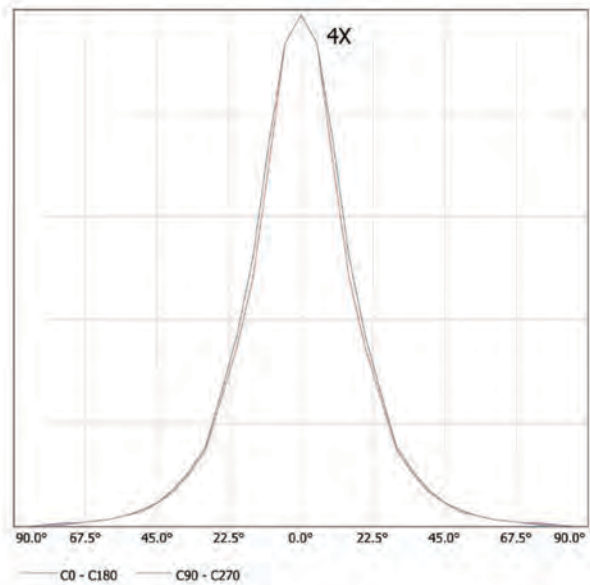
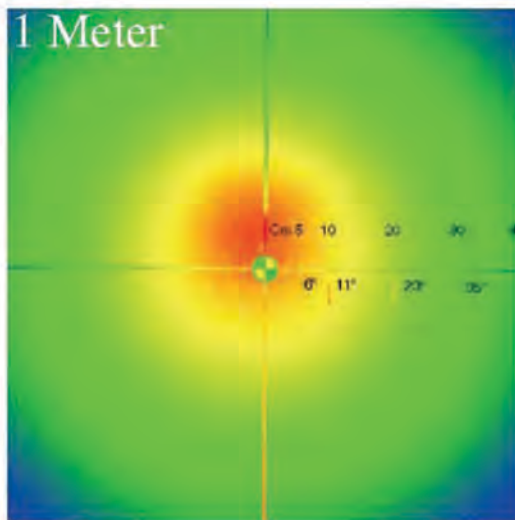
Optical Specifications

Luminous Flux	900 lumen @ 12V
Illuminance	1550 lux @ 1m
Beam Angle	40°
Color	5200K

Beamshot



Spectro Metric Analysis



MARIN FOTO

Knappevegen 24, 5337 RONG - NORWAY

Tlf: 92 02 32 48

www.marinfoto.no
marin@uvfoto.com



Quadristar 900 UMB 10° P



Electrical Specifications

Voltage	8V (0%) - 13V (100%)
Connection	1,3m umbilical ended with Triple O-ring Sealing Plug
Power	14W @ full power
Emitter	4 x Cree XP-G
Driver	Microprocessor controlled PWM 0 - 100% linear dimming with GFI Dive Light Controller Thermal protection

Material Specifications

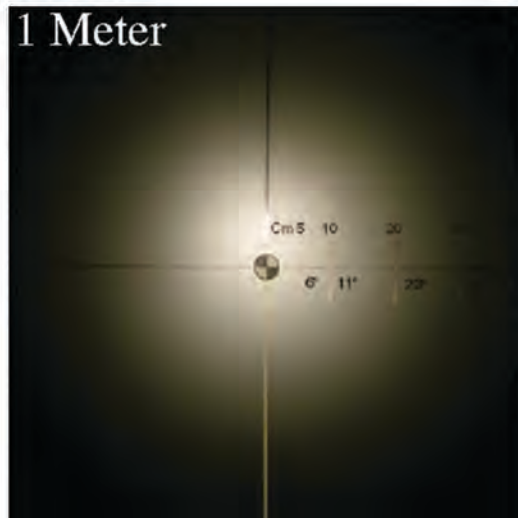
Body Treatment	Aluminum AA6023 AlMgSiSnBi Black Hard anodization MIL-A-8625 Type III with Surlon MIL-A-63576 coating
Optics	High efficiency Polycarbonate
Front Lens	10mm BK7 glass
Depth rating	250 m, 26 BAR
Weight	260g including cable and TOS plug



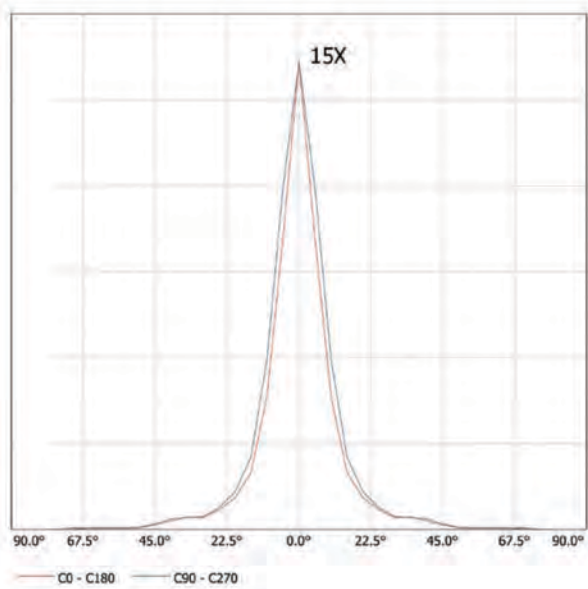
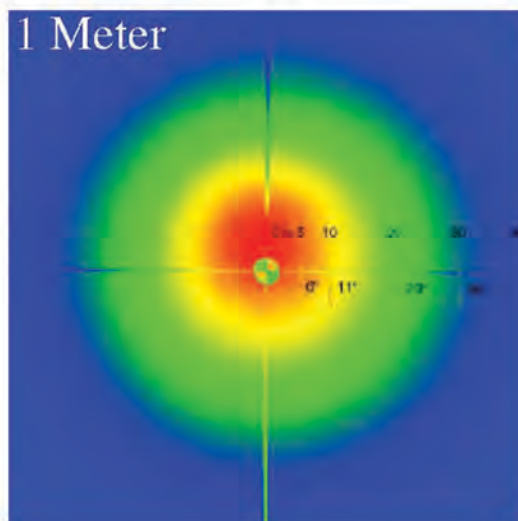
Optical Specifications

Luminous Flux	900 lumen @ 12V
Illuminance	4850 lux @ 1m
Beam Angle	10°
Color	5200K

Beamshot



Spectro Metric Analysis



MARIN FOTO

Knappevegen 24, 5337 RONG - NORWAY

Tlf: 92 02 32 48

www.marinfoto.no
marin@uvfoto.com



Quadristar 900 UMB 10° B

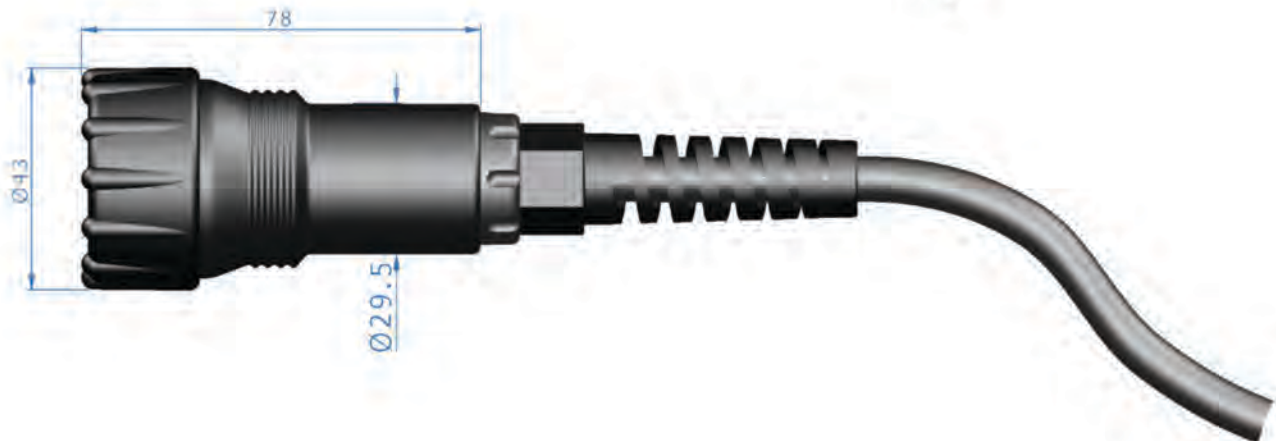


Electrical Specifications

Voltage	4 - 15V	
Connection	1,3m umbilical ended with Triple O-ring Sealing Plug	
Power	14W @ 12V	
Emitter	4 x Cree XP-G	
Driver	Multi-voltage 4 - 15V Microprocessor controlled PWM 100% and 50% dimmable Thermal protection Battery deep discharge protection 'Bring Me Home' mode	
Battery Burn Time	GFI I 12V 2.1Ah	100min
	GFI II 12V 4.5Ah	200min
	GFI III 12V 9Ah	400min

Material Specifications

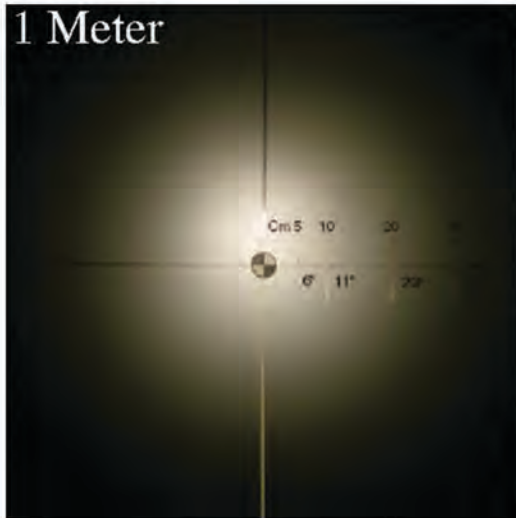
Body Treatment	Aluminum AA6023 AlMgSiSnBi Black Hard anodization MIL-A-8625 Type III with Surlon MIL-A-63576 coating
Optics Front Lens	High efficiency Polycarbonate 10mm BK7 glass
Depth rating	250 m, 26 BAR
Weight	260g including cable and TOS plug



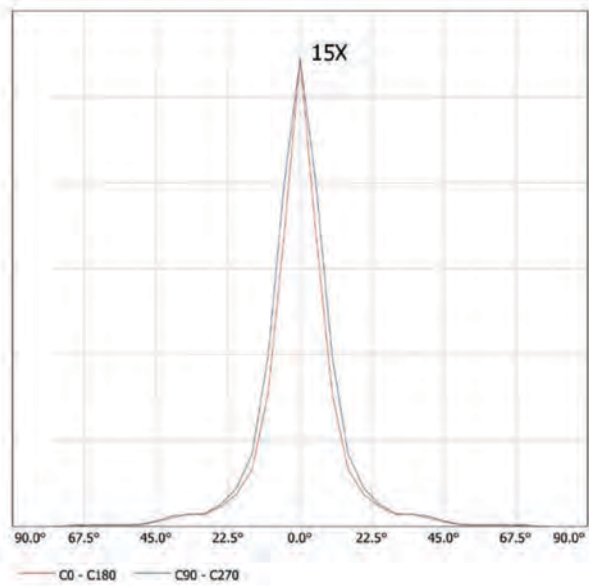
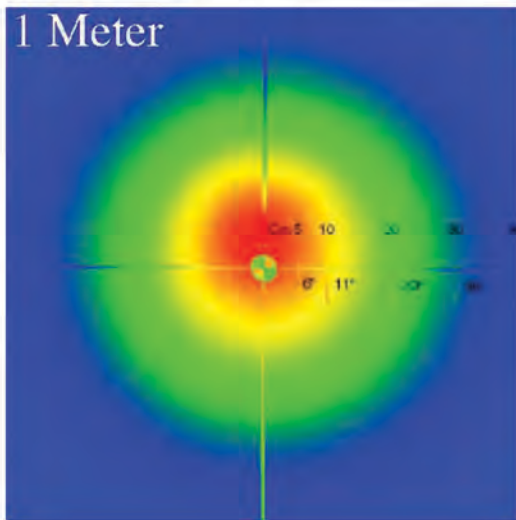
Optical Specifications

Luminous Flux	900 lumen @ 12V
Illuminance	4850 lux @ 1m
Beam Angle	10°
Color	5200K

Beamshot



Spectro Metric Analysis



MARIN FOTO

Knappevegen 24, 5337 RONG - NORWAY

Tlf: 92 02 32 48

www.marinfoto.no
marin@uvfoto.com





Electrical Specifications

Voltage	8V (0%) - 13V (100%)
Connection	Triple O-ring Sealing Plug
Power	14W @ full power
Emitter	4 x Cree XP-G
Driver	Microprocessor controlled PWM 0 - 100% linear dimming with GFI Dive Light Controller Thermal protection

Material Specifications

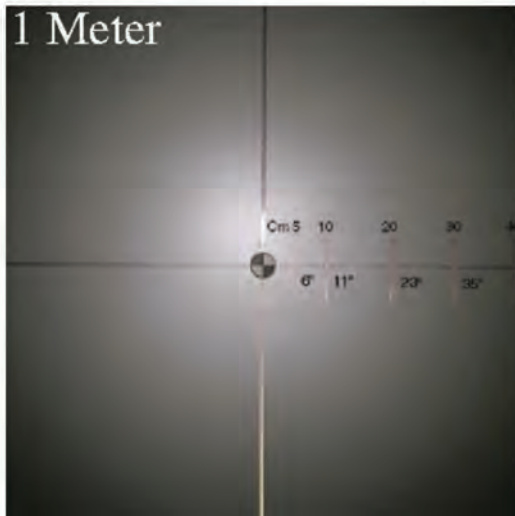
Body Treatment	Aluminum AA6023 AlMgSiSnBi Black Hard anodization MIL-A-8625 Type III with Surlon MIL-A-63576 coating
Optics	High efficiency Polycarbonate
Front Lens	10mm BK7 glass
Depth rating	250 m, 26 BAR
Weight	190g



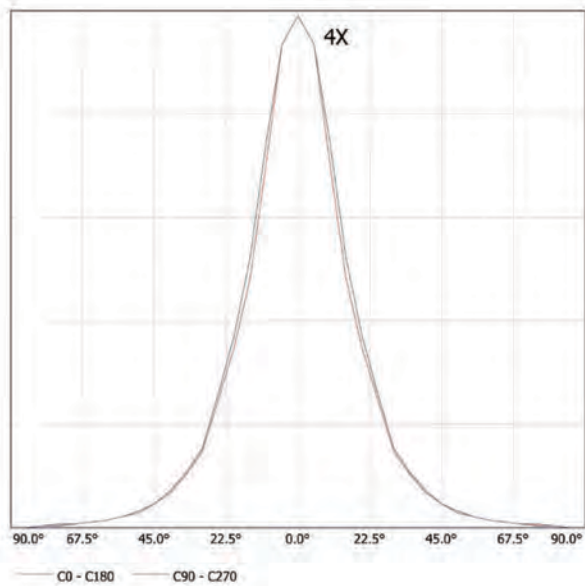
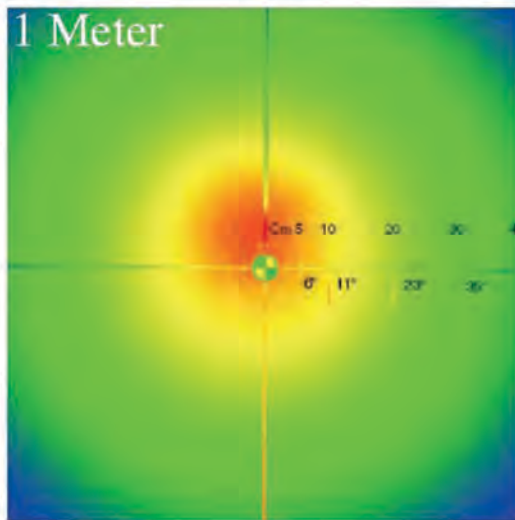
Optical Specifications

Luminous Flux	900 lumen @ 12V
Illuminance	1550 lux @ 1m
Beam Angle	40°
Color	5200K

Beamshot



Spectro Metric Analysis



MARIN FOTO

Knappevegen 24, 5337 RONG - NORWAY

Tlf: 92 02 32 48

www.marinfoto.no
marin@uvfoto.com





Electrical Specifications

Voltage 4 - 15V
Connection Triple O-ring Sealing Plug
Power 14W @ 12V
Emitter 4 x Cree XP-G
Driver Multi-voltage 4 - 15V
 Microprocessor controlled PWM
 100% and 50% dimmable
 Thermal protection
 Battery deep discharge protection
 'Bring Me Home' mode

Battery Burn Time

GFI I 12V 2.1Ah	100min
GFI II 12V 4.5Ah	200min
GFI III 12V 9Ah	400min

Material Specifications

Body Treatment Aluminum AA6023 AlMgSiSnBi
 Black Hard anodization MIL-A-8625 Type III with Surlon MIL-A-63576 coating

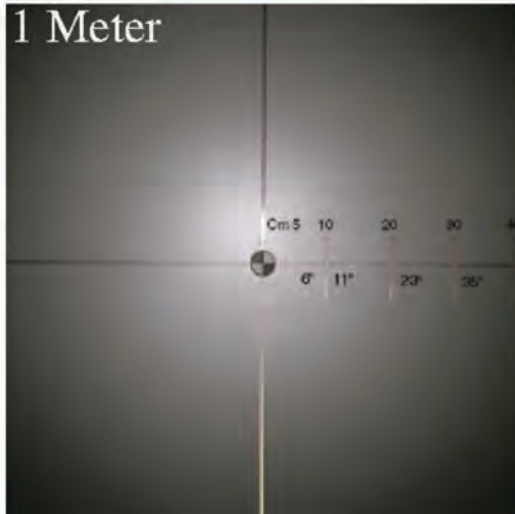
Optics High efficiency Polycarbonate
Front Lens 10mm BK7 glass
Depth rating 250 m, 26 BAR
Weight 190g



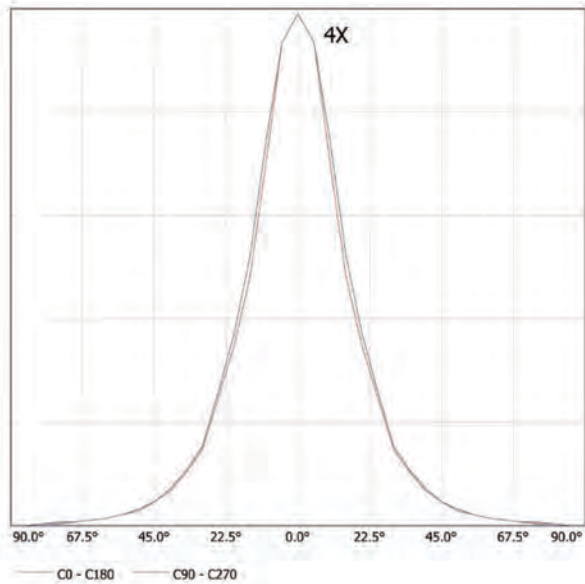
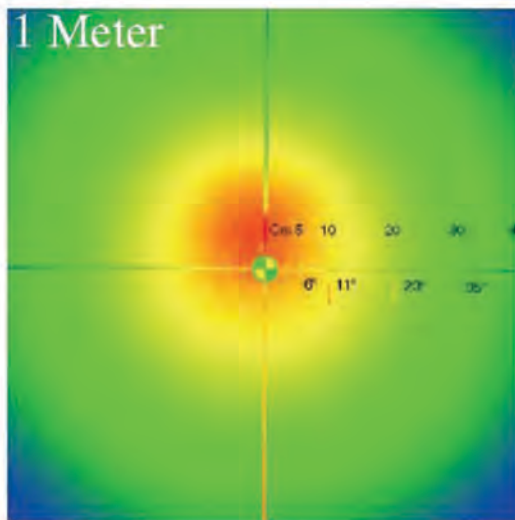
Optical Specifications

Luminous Flux	900 lumen @ 12V
Illuminance	1550 lux @ 1m
Beam Angle	40°
Color	5200K

Beamshot



Spectro Metric Analysis



MARIN FOTO

Knappevegen 24, 5337 RONG - NORWAY

Tlf: 92 02 32 48

www.marinfoto.no
marin@uvfoto.com



Quadristar 900 TOS 10° P

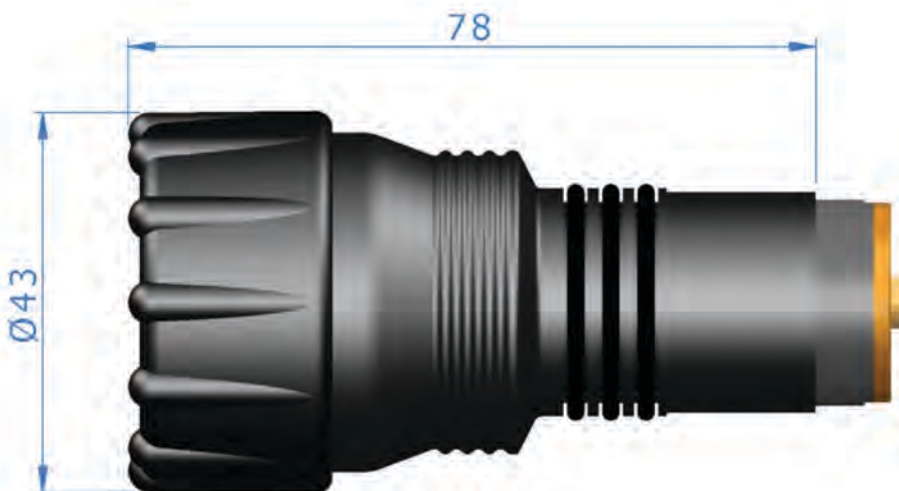


Electrical Specifications

Voltage	8V (0%) - 13V (100%)
Connection	Triple O-ring Sealing Plug
Power	14W @ full power
Emitter	4 x Cree XP-G
Driver	Microprocessor controlled PWM 0 - 100% linear dimming with GFI Dive Light Controller Thermal protection

Material Specifications

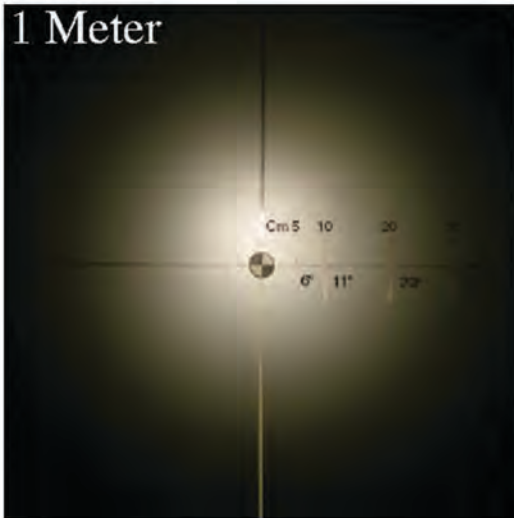
Body Treatment	Aluminum AA6023 AlMgSiSnBi Black Hard anodization MIL-A-8625 Type III with Surlon MIL-A-63576 coating
Optics	High efficiency Polycarbonate
Front Lens	10mm BK7 glass
Depth rating	250 m, 26 BAR
Weight	190g



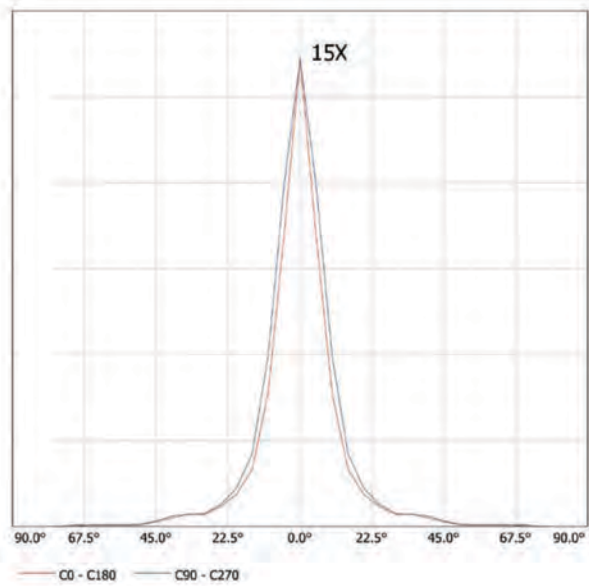
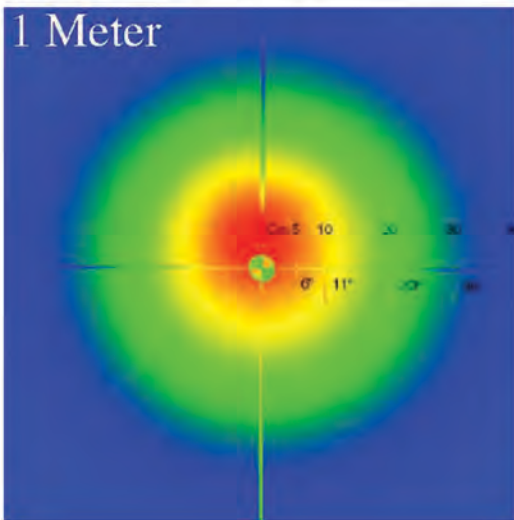
Optical Specifications

Luminous Flux	900 lumen @ 12V
Illuminance	4850 lux @ 1m
Beam Angle	10°
Color	5200K

Beamshot



Spectro Metric Analysis



MARIN FOTO

Knappevegen 24, 5337 RONG - NORWAY

Tlf: 92 02 32 48

www.marinfoto.no
marin@uvfoto.com



Quadristar 900 TOS 10° B



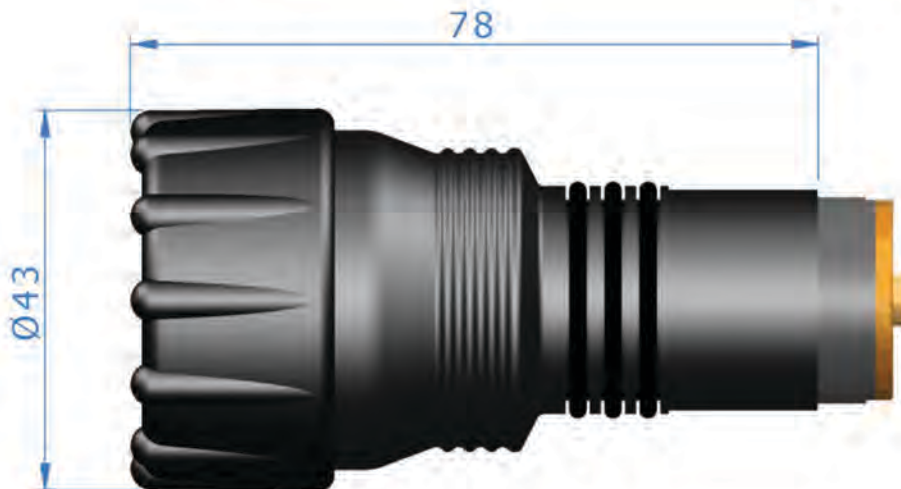
Electrical Specifications

Voltage	4 - 15V	
Connection	Triple O-ring Sealing Plug	
Power	14W @ 12V	
Emitter	4 x Cree XP-G	
Driver	Multi-voltage 4 - 15V Microprocessor controlled PWM 100% and 50% dimmable Thermal protection Battery deep discharge protection 'Bring Me Home' mode	

Battery Burn Time	GFI I 12V 2.1Ah	100min
	GFI II 12V 4.5Ah	200min
	GFI III 12V 9Ah	400min

Material Specifications

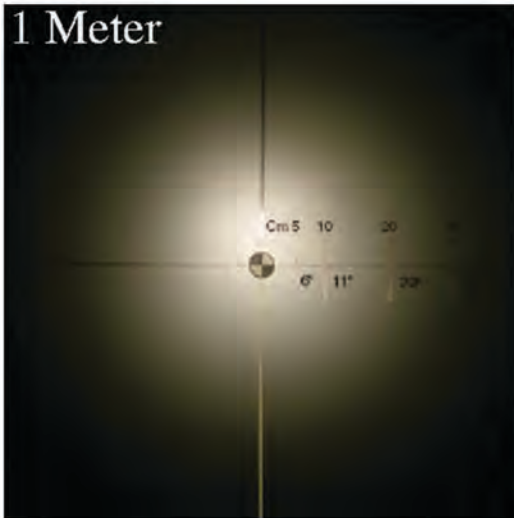
Body Treatment	Aluminum AA6023 AlMgSiSnBi Black Hard anodization MIL-A-8625 Type III with Surlon MIL-A-63576 coating
Optics Front Lens	High efficiency Polycarbonate 10mm BK7 glass
Depth rating	250 m, 26 BAR
Weight	190g



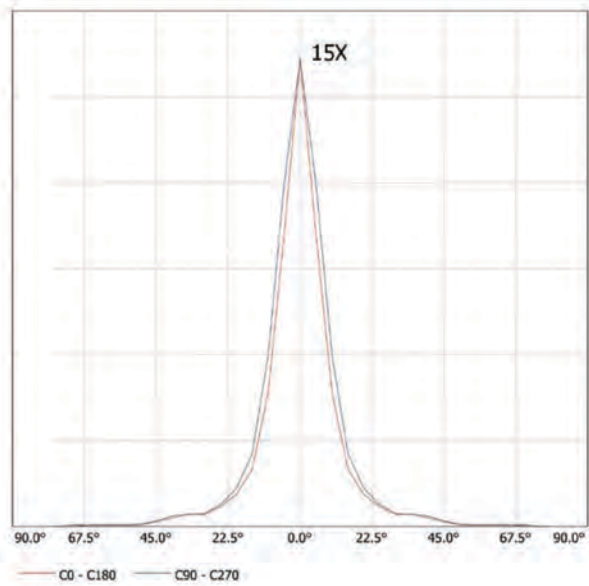
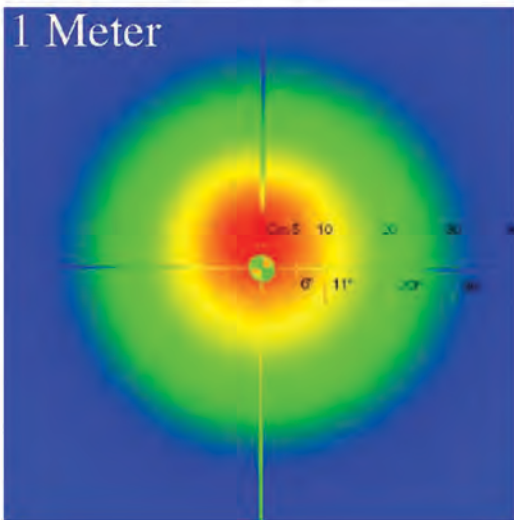
Optical Specifications

Luminous Flux	900 lumen @ 12V
Illuminance	4850 lux @ 1m
Beam Angle	10°
Color	5200K

Beamshot



Spectro Metric Analysis



MARIN FOTO

Knappevegen 24, 5337 RONG - NORWAY

Tlf: 92 02 32 48

www.marinfoto.no
marin@uvfoto.com

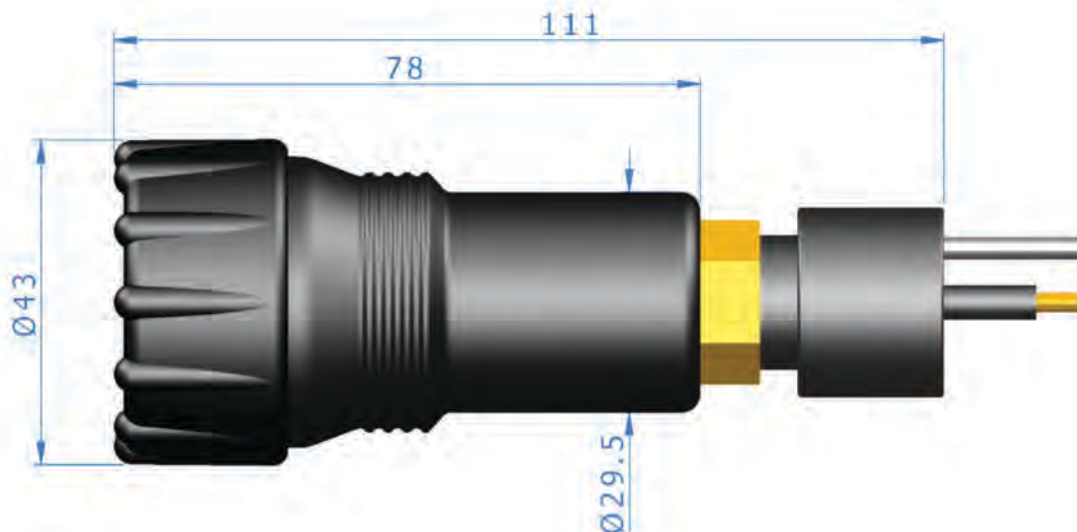


Quadristar 900 BULK 40° P**Electrical Specifications**

Voltage	8V (0%) - 13V (100%)
Bulkhead	any with 7/16-20 UNF thread, standard BH2MP is mounted
Power	14W @ full power
Emitter	4 x Cree XP-G
Driver	Microprocessor controlled PWM 0 - 100% linear dimming with GFI Dive Light Controller Thermal protection

Material Specifications

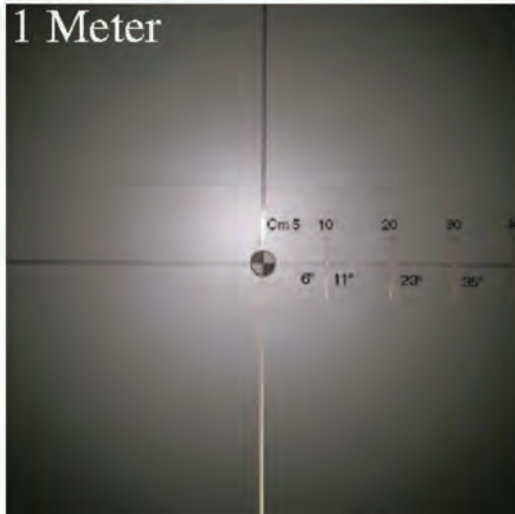
Body	Aluminum AA6023 AlMgSiSnBi
Treatment	Black Hard anodization MIL-A-8625 Type III with Surlon MIL-A-63576 coating
Optics	High efficiency Polycarbonate
Front Lens	10mm BK7 glass
Depth rating	250 m, 26 BAR
Weight	195g



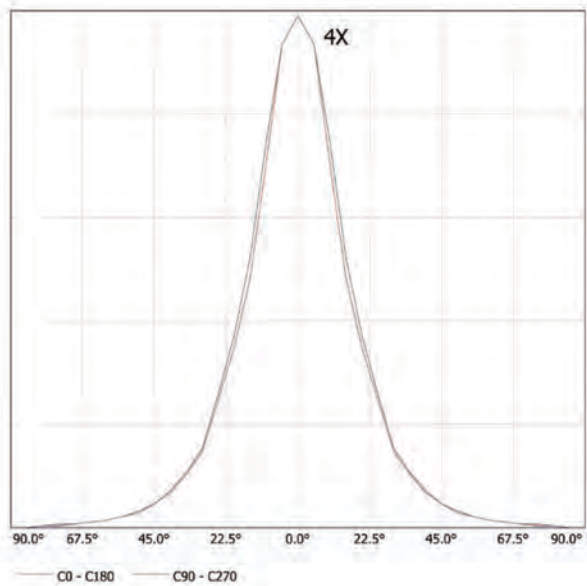
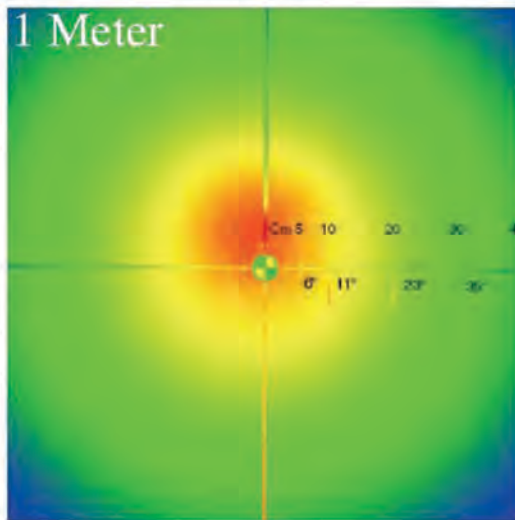
Optical Specifications

Luminous Flux	900 lumen @ 12V
Illuminance	1550 lux @ 1m
Beam Angle	10°
Color	5200K

Beamshot



Spectro Metric Analysis



MARIN FOTO

Knappevegen 24, 5337 RONG - NORWAY

Tlf: 92 02 32 48

www.marinfoto.no
marin@uvfoto.com



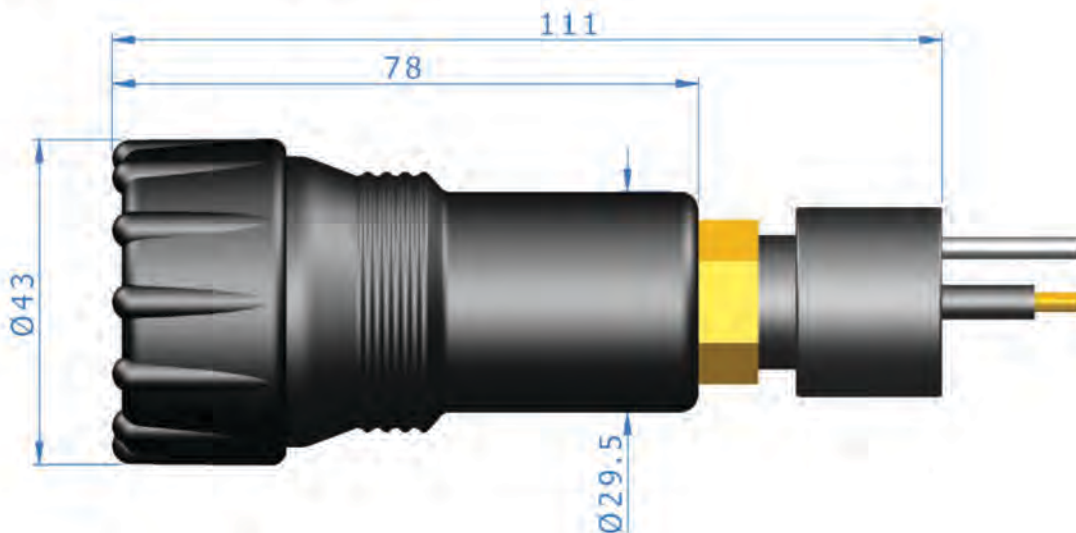
Quadristar 900 BULK 40° B

Electrical Specifications

Voltage	4 - 15V	
Bulkhead	any with 7/16-20 UNF thread, standard BH2MP is mounted	
Power	14W @ 12V	
Emitter	4 x Cree XP-G	
Driver	Multi-voltage 4 - 15V Microprocessor controlled PWM 100% and 50% dimmable Thermal protection Battery deep discharge protection 'Bring Me Home' mode	
Battery Burn Time	GFI I 12V 2.1Ah	100min
	GFI II 12V 4.5Ah	200min
	GFI III 12V 9Ah	400min

Material Specifications

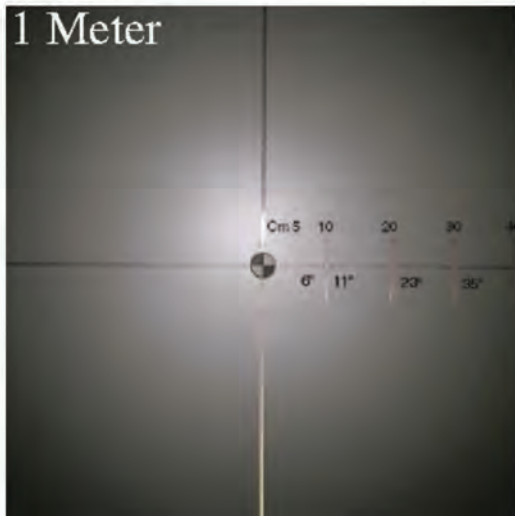
Body Treatment	Aluminum AA6023 AlMgSiSnBi Black Hard anodization MIL-A-8625 Type III with Surlon MIL-A-63576 coating
Optics	High efficiency Polycarbonate
Front Lens	10mm BK7 glass
Depth rating	250 m, 26 BAR
Weight	195g



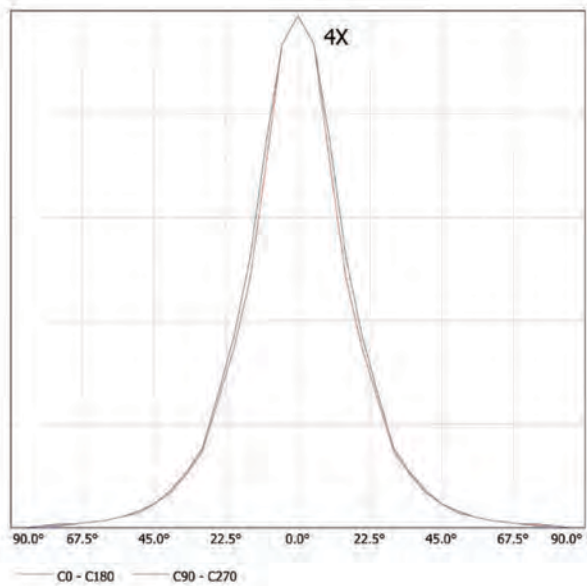
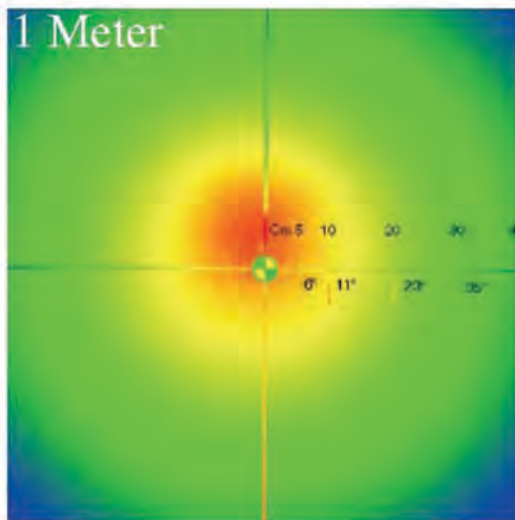
Optical Specifications

Luminous Flux	900 lumen @ 12V
Illuminance	1550 lux @ 1m
Beam Angle	40°
Color	5200K

Beamshot



Spectro Metric Analysis



MARIN FOTO

Knappevegen 24, 5337 RONG - NORWAY

Tlf: 92 02 32 48

www.marinfoto.no
marin@uvfoto.com

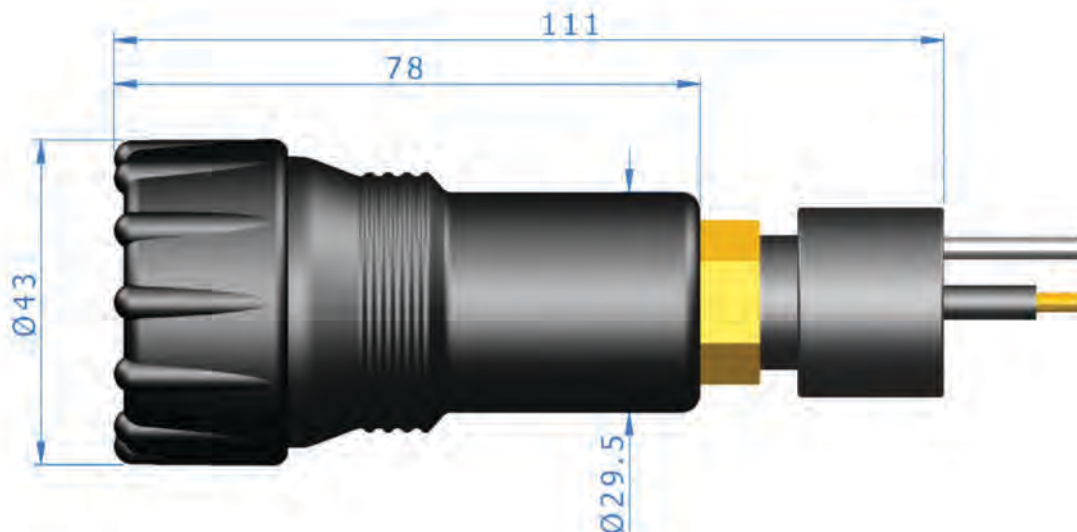


Quadristar 900 BULK 10° P**Electrical Specifications**

Voltage	8V (0%) - 13V (100%)
Bulkhead	any with 7/16-20 UNF thread, standard BH2MP is mounted
Power	14W @ full power
Emitter	4 x Cree XP-G
Driver	Microprocessor controlled PWM 0 - 100% linear dimming with GFI Dive Light Controller Thermal protection

Material Specifications

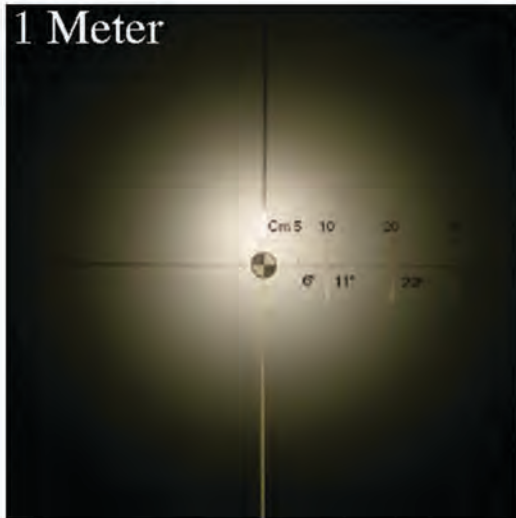
Body	Aluminum AA6023 AlMgSiSnBi
Treatment	Black Hard anodization MIL-A-8625 Type III with Surlon MIL-A-63576 coating
Optics	High efficiency Polycarbonate
Front Lens	10mm BK7 glass
Depth rating	250 m, 26 BAR
Weight	195g



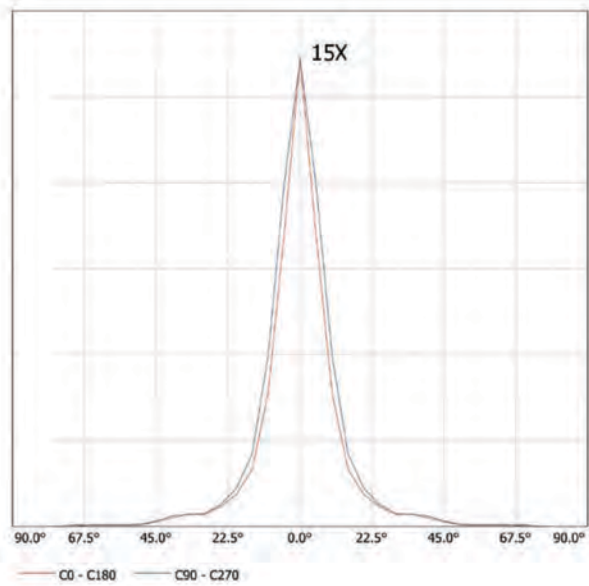
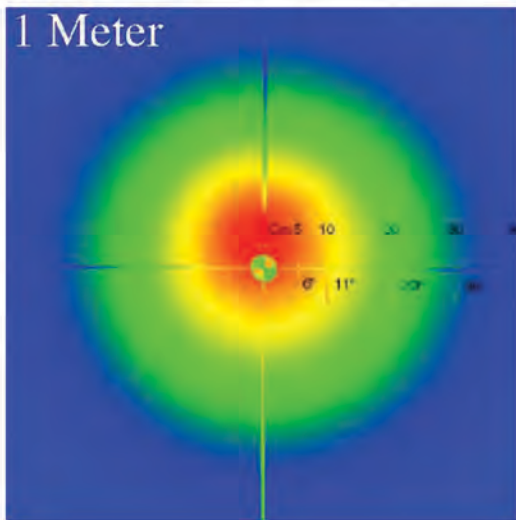
Optical Specifications

Luminous Flux	900 lumen @ 12V
Illuminance	4850 lux @ 1m
Beam Angle	10°
Color	5200K

Beamshot



Spectro Metric Analysis



MARIN FOTO

Knappevegen 24, 5337 RONG - NORWAY

Tlf: 92 02 32 48

www.marinfoto.no
marin@uvfoto.com



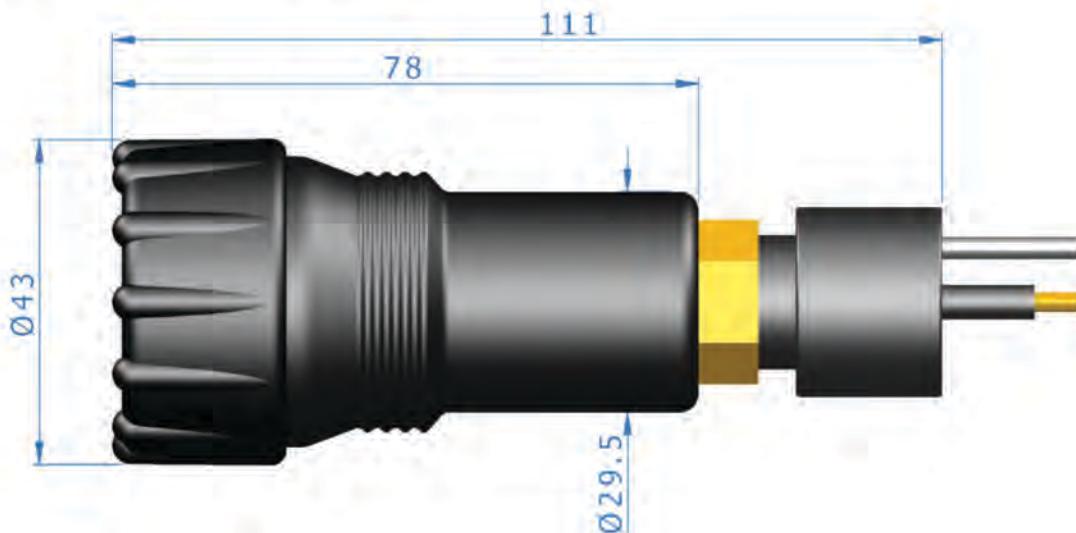
Quadristar 900 BULK 10° B

Electrical Specifications

Voltage	4 - 15V	
Bulkhead	any with 7/16-20 UNF thread, standard BH2MP is mounted	
Power	14W @ 12V	
Emitter	4 x Cree XP-G	
Driver	Multi-voltage 4 - 15V Microprocessor controlled PWM 100% and 50% dimmable Thermal protection Battery deep discharge protection 'Bring Me Home' mode	
Battery Burn Time	GFI I 12V 2.1Ah	100min
	GFI II 12V 4.5Ah	200min
	GFI III 12V 9Ah	400min

Material Specifications

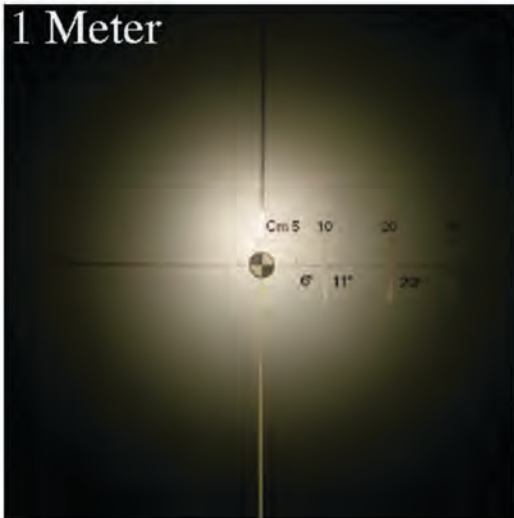
Body Treatment	Aluminum AA6023 AlMgSiSnBi Black Hard anodization MIL-A-8625 Type III with Surlon MIL-A-63576 coating
Optics	High efficiency Polycarbonate
Front Lens	10mm BK7 glass
Depth rating	250 m, 26 BAR
Weight	195g



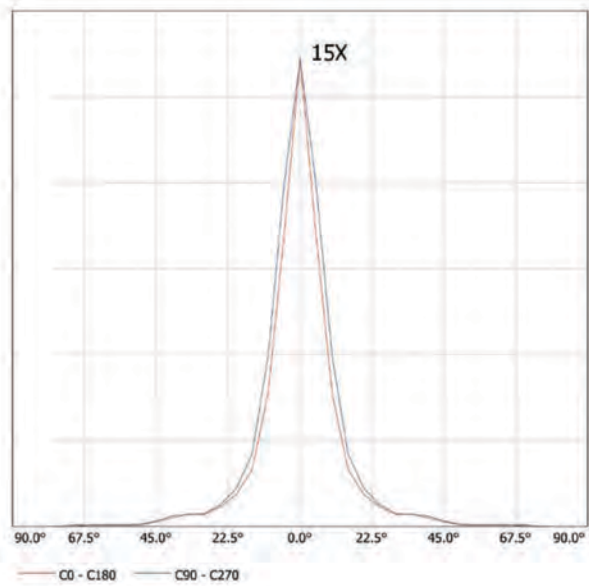
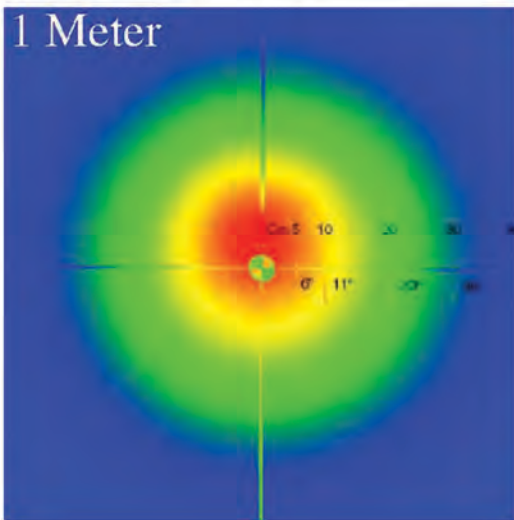
Optical Specifications

Luminous Flux	900 lumen @ 12V
Illuminance	4850 lux @ 1m
Beam Angle	10°
Color	5200K

Beamshot



Spectro Metric Analysis



MARIN FOTO

Knappevegen 24, 5337 RONG - NORWAY

Tlf: 92 02 32 48

www.marinfoto.no
marin@uvfoto.com



Mask Mount

Material Specifications

Clamp	Polyacetal POM
Screws	Inox 216
Depth rating	250 m, 26 BAR
Weight	52g

Designed for 29.5mm GFI lights, fits most full face diving masks



Heptastar 1800 UMB 40° P

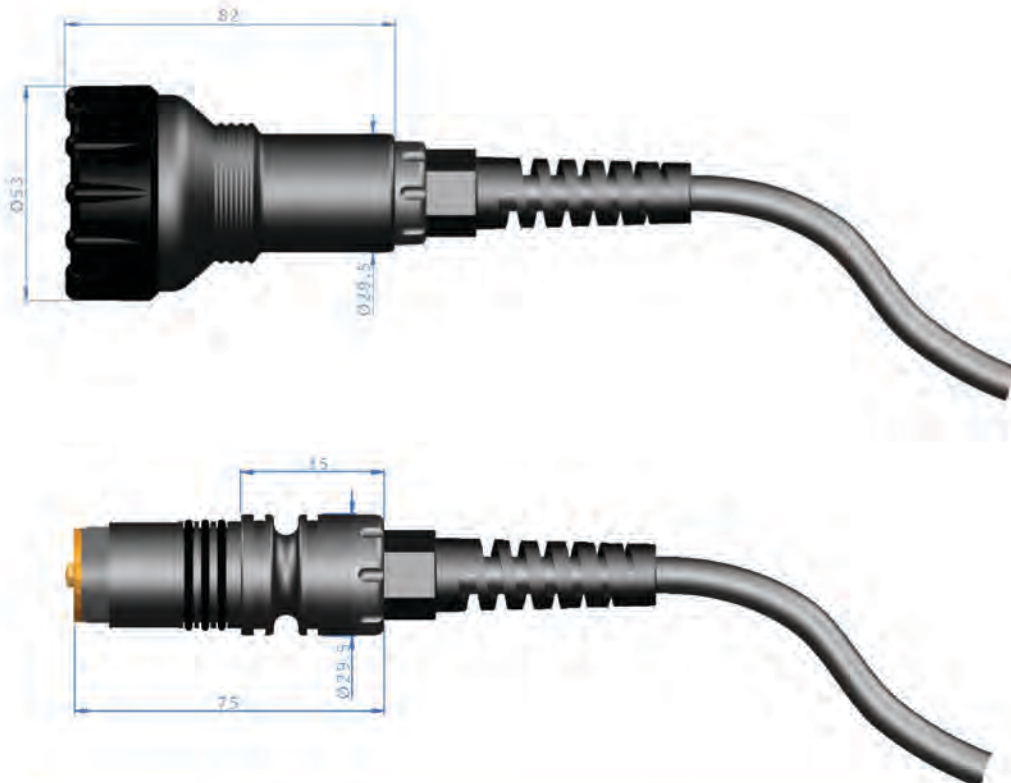


Electrical Specifications

Voltage	8V (0%) - 13V (100%)
Connection	1,3m umbilical ended with Triple O-ring Sealing Plug
Power	21W @ full power
Emitter	7 x Cree XP-G
Driver	Microprocessor controlled PWM 0 - 100% linear dimming with GFI Dive Light Controller Thermal protection

Material Specifications

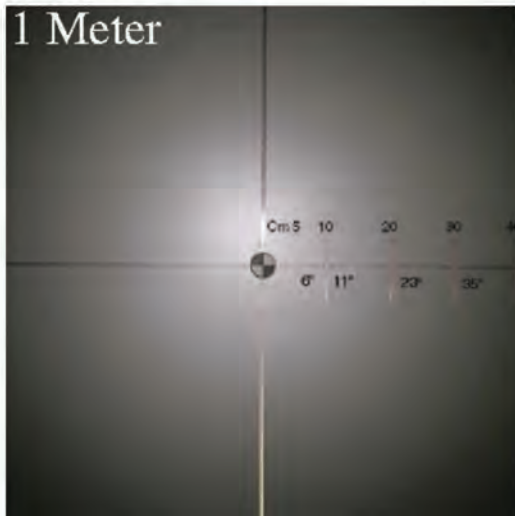
Body Treatment	Aluminum AA6023 AlMgSiSnBi Black Hard anodization MIL-A-8625 Type III with Surlon MIL-A-63576 coating
Optics	High efficiency Polycarbonate
Front Lens	10mm BK7 glass
Depth rating	250 m, 26 BAR
Weight	295g including cable and TOS plug



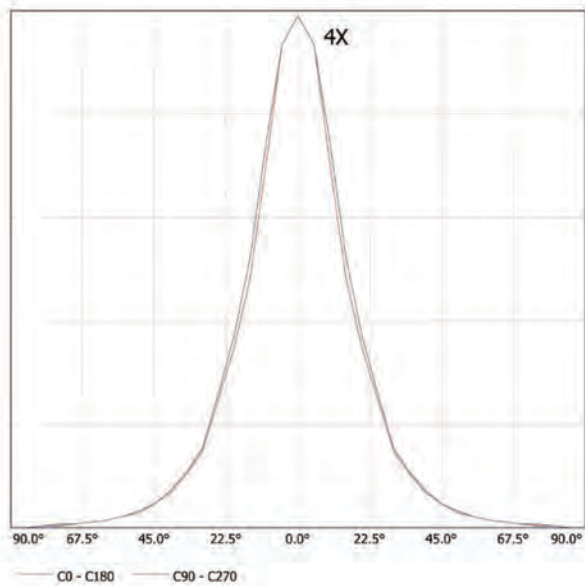
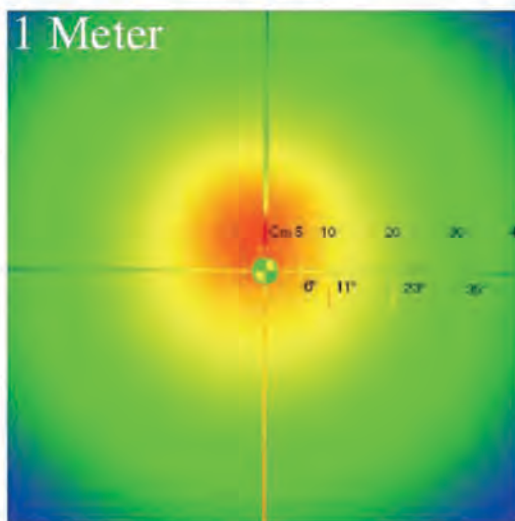
Optical Specifications

Luminous Flux	1800 lumen @ 12V
Illuminance	2600 lux @ 1m
Beam Angle	40°
Color	5200K

Beamshot



Spectro Metric Analysis



MARIN FOTO

Knappevegen 24, 5337 RONG - NORWAY

Tlf: 92 02 32 48

www.marinfoto.no
marin@uvfoto.com



Heptastar 1800 UMB 40° B



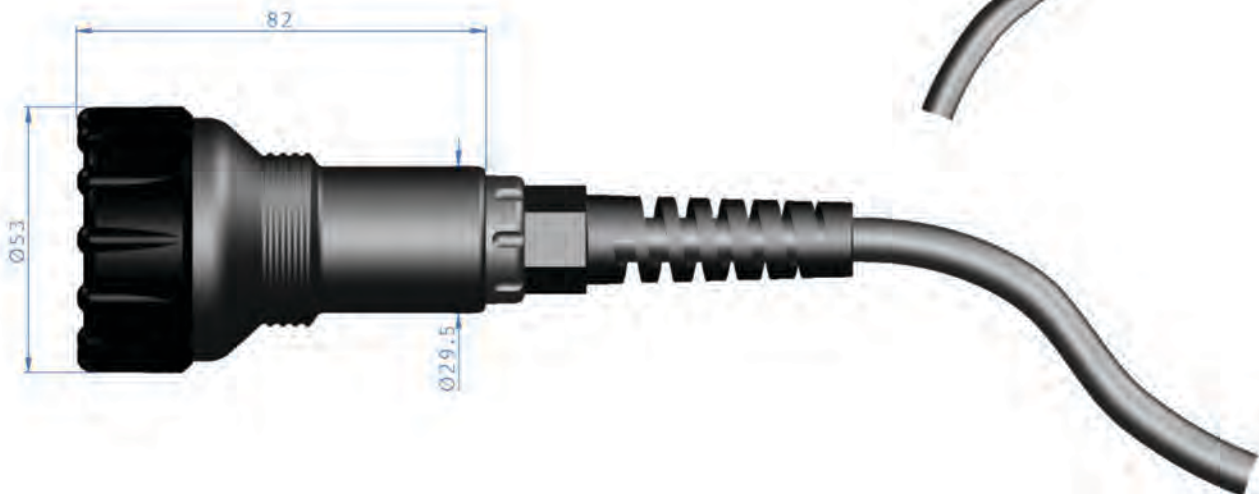
Electrical Specifications

Voltage	4 - 15V	
Connection	1,3m umbilical ended with Triple O-ring Sealing Plug	
Power	21W @ 12V	
Emitter	7 x Cree XP-G	
Driver	Multi-voltage 4 - 15V Microprocessor controlled PWM 100% and 50% dimmable Thermal protection Battery deep discharge protection 'Bring Me Home' mode	

Battery Burn Time	GFI I 12V 2.1Ah	70min
	GFI II 12V 4.5Ah	140min
	GFI III 12V 9Ah	280min

Material Specifications

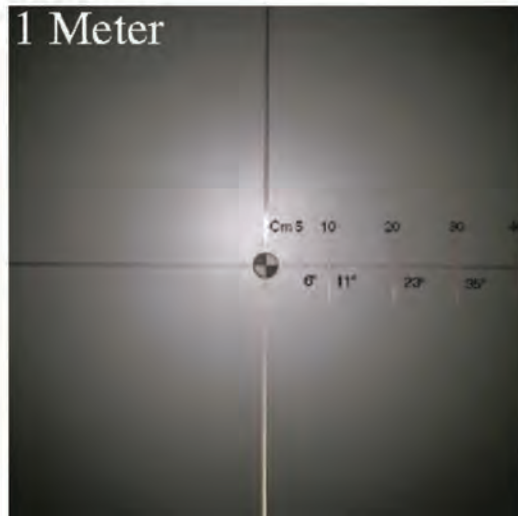
Body Treatment	Aluminum AA6023 AlMgSiSnBi Black Hard anodization MIL-A-8625 Type III with Surlon MIL-A-63576 coating
Optics	High efficiency Polycarbonate
Front Lens	10mm BK7 glass
Depth rating	250 m, 26 BAR
Weight	295g including cable and TOS plug



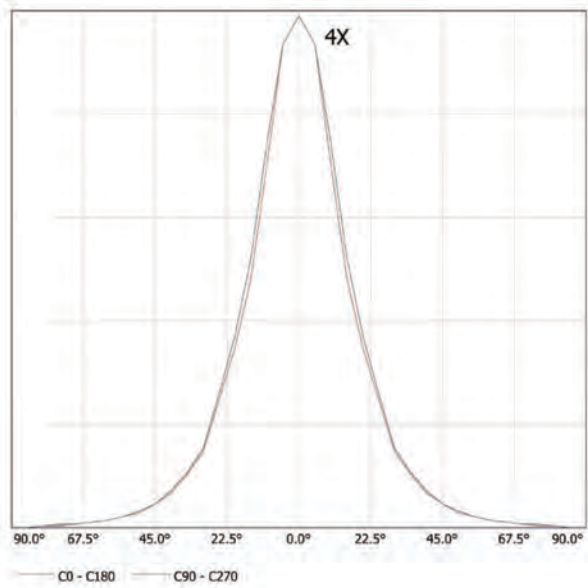
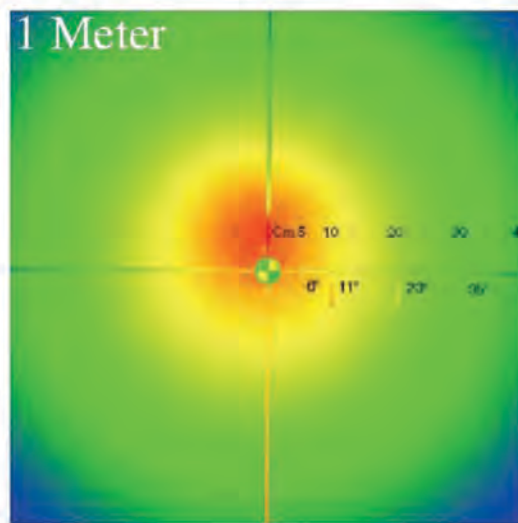
Optical Specifications

Luminous Flux	1800 lumen @ 12V
Illuminance	2600 lux @ 1m
Beam Angle	40°
Color	5200K

Beamshot



Spectro Metric Analysis



MARIN FOTO

Knappevegen 24, 5337 RONG - NORWAY

Tlf: 92 02 32 48

www.marinfoto.no
marin@uvfoto.com



Heptastar 1800 UMB 10° P

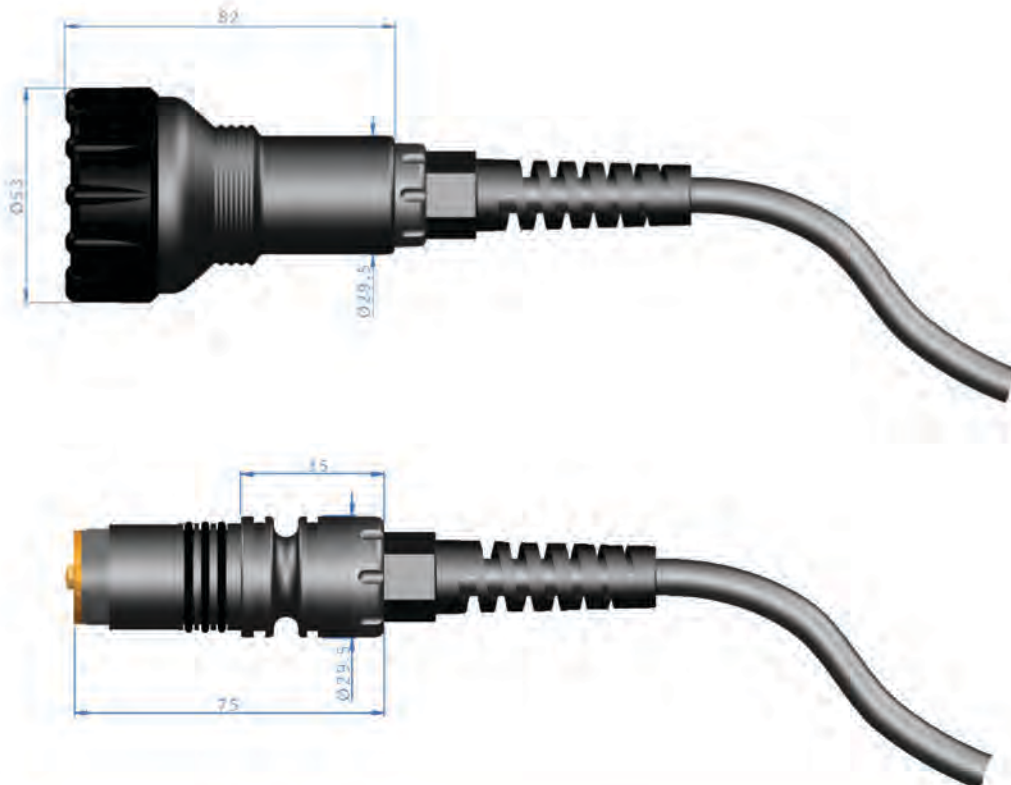


Electrical Specifications

Voltage	8V (0%) - 13V (100%)
Connection	1,3m umbilical ended with Triple O-ring Sealing Plug
Power	21W @ full power
Emitter	7 x Cree XP-G
Driver	Microprocessor controlled PWM 0 - 100% linear dimming with GFI Dive Light Controller Thermal protection

Material Specifications

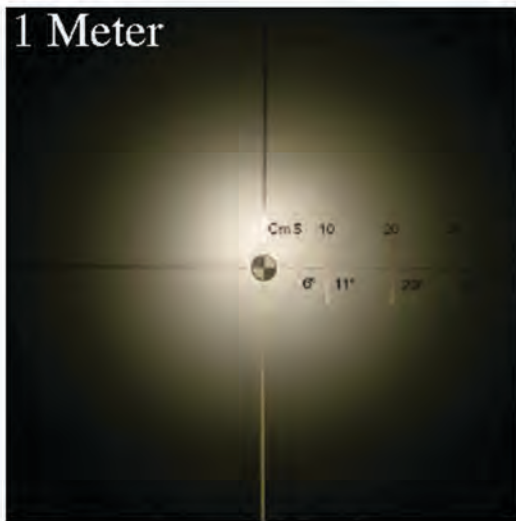
Body Treatment	Aluminum AA6023 AlMgSiSnBi Black Hard anodization MIL-A-8625 Type III with Surlon MIL-A-63576 coating
Optics	High efficiency Polycarbonate
Front Lens	10mm BK7 glass
Depth rating	250 m, 26 BAR
Weight	295g including cable and TOS plug



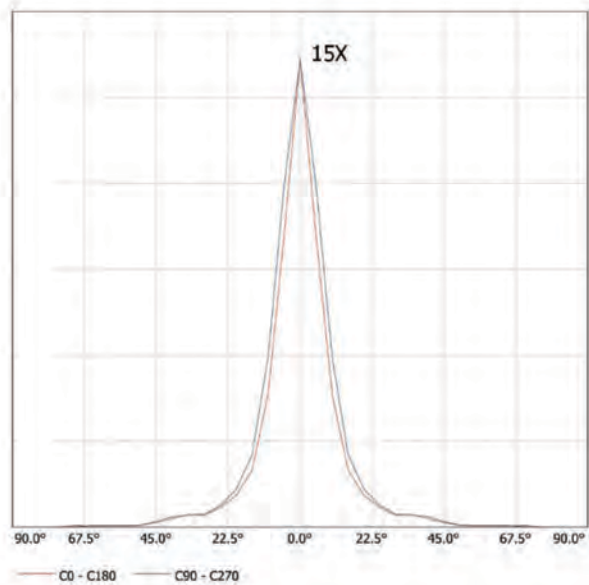
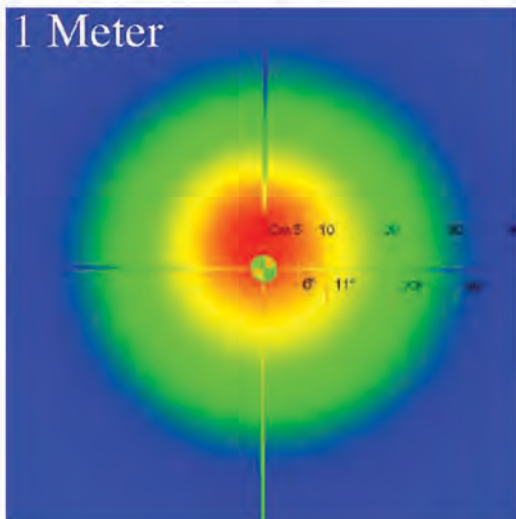
Optical Specifications

Luminous Flux 1800 lumen @ 12V
Illuminance 8300 lux @ 1m
Beam Angle 10°
Color 5200K

Beamshot



Spectro Metric Analysis



MARIN FOTO

Knappevegen 24, 5337 RONG - NORWAY

Tlf: 92 02 32 48

www.marinfoto.no
marin@uvfoto.com



Heptastar 1800 UMB 10° B



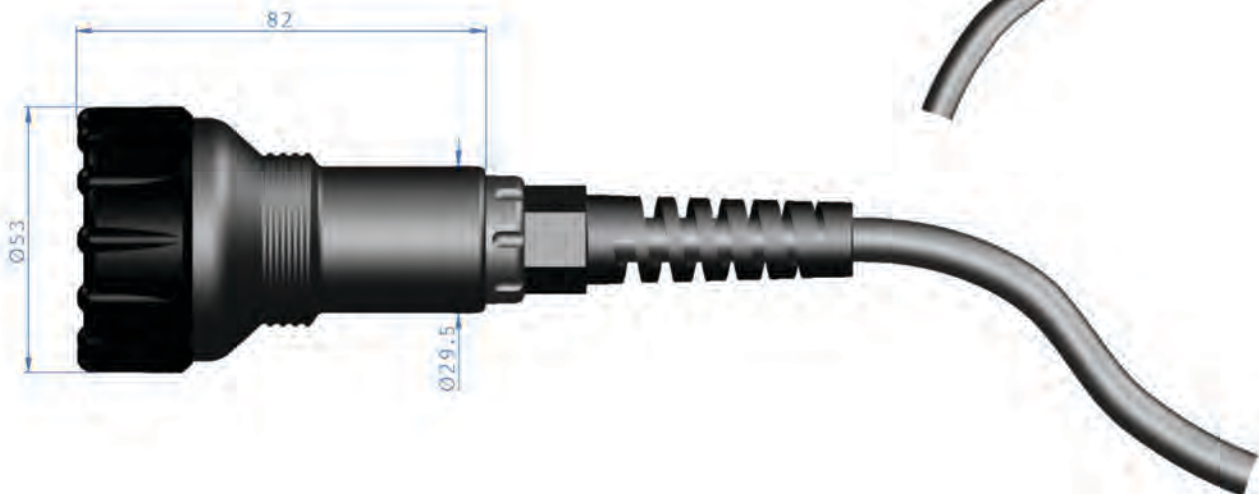
Electrical Specifications

Voltage	4 - 15V	
Connection	1,3m umbilical ended with Triple O-ring Sealing Plug	
Power	21W @ 12V	
Emitter	7 x Cree XP-G	
Driver	Multi-voltage 4 - 15V Microprocessor controlled PWM 100% and 50% dimmable Thermal protection Battery deep discharge protection 'Bring Me Home' mode	

Battery Burn Time	GFI I 12V 2.1Ah	70min
	GFI II 12V 4.5Ah	140min
	GFI III 12V 9Ah	280min

Material Specifications

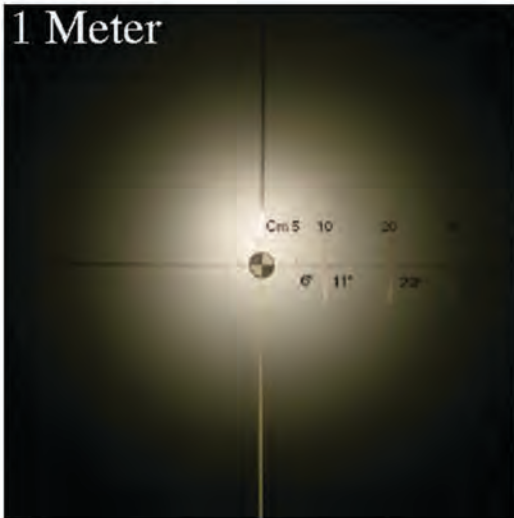
Body Treatment	Aluminum AA6023 AlMgSiSnBi Black Hard anodization MIL-A-8625 Type III with Surlon MIL-A-63576 coating
Optics	High efficiency Polycarbonate
Front Lens	10mm BK7 glass
Depth rating	250 m, 26 BAR
Weight	295g including cable and TOS plug



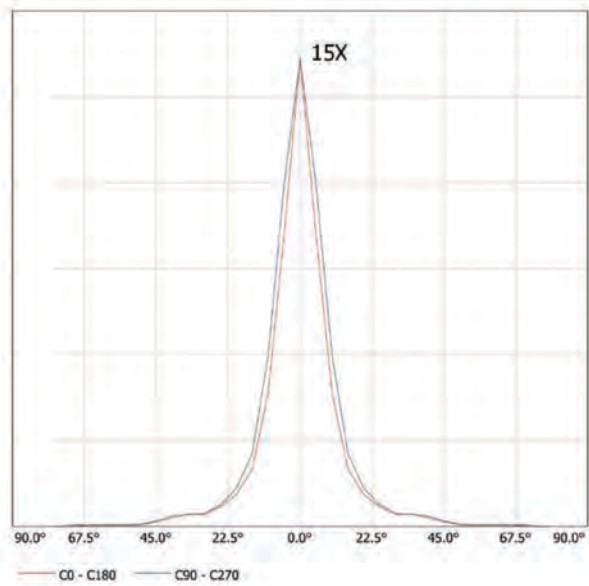
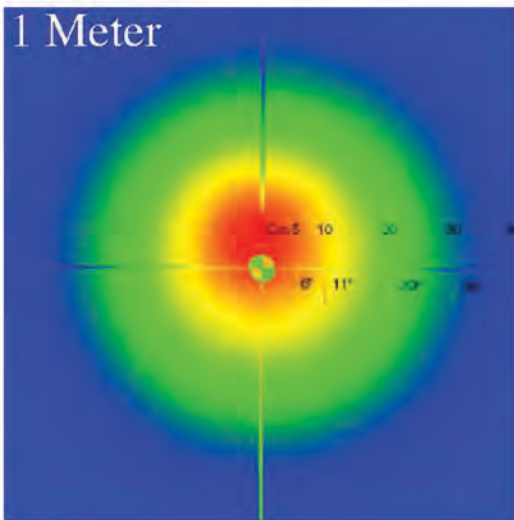
Optical Specifications

Luminous Flux	1800 lumen @ 12V
Illuminance	8300 lux @ 1m
Beam Angle	10°
Color	5200K

Beamshot



Spectro Metric Analysis



MARIN FOTO

Knappevegen 24, 5337 RONG - NORWAY

Tlf: 92 02 32 48

www.marinfoto.no
marin@uvfoto.com



Heptastar 1800 TOS 40° P



Electrical Specifications

Voltage	8V (0%) - 13V (100%)
Connection	Triple O-ring Sealing Plug
Power	21W @ full power
Emitter	7 x Cree XP-G
Driver	Microprocessor controlled PWM 0 - 100% linear dimming with GFI Dive Light Controller Thermal protection

Material Specifications

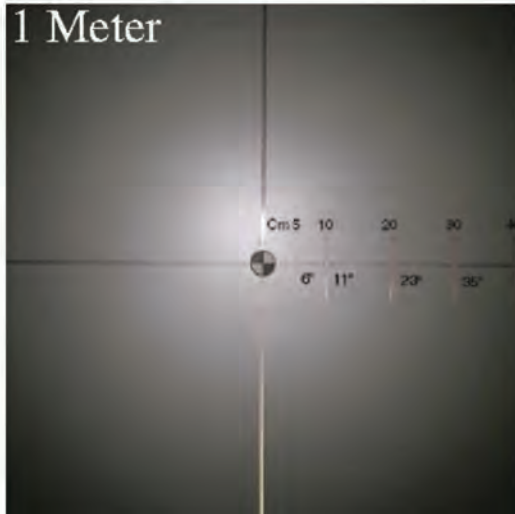
Body Treatment	Aluminum AA6023 AlMgSiSnBi Black Hard anodization MIL-A-8625 Type III with Surlon MIL-A-63576 coating
Optics	High efficiency Polycarbonate
Front Lens	10mm BK7 glass
Depth rating	250 m, 26 BAR
Weight	225g



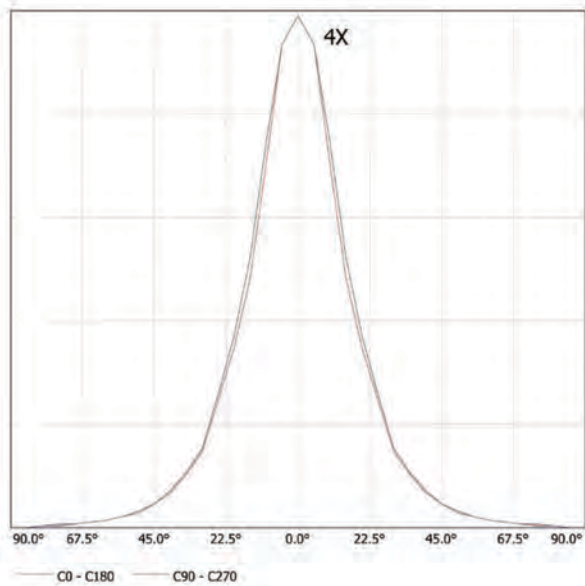
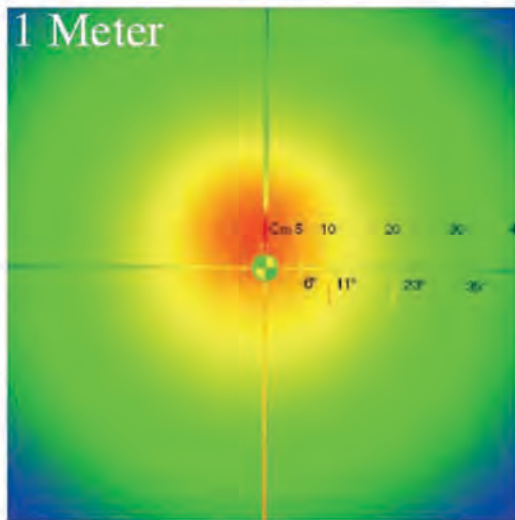
Optical Specifications

Luminous Flux	1800 lumen @ 12V
Illuminance	2600 lux @ 1m
Beam Angle	40°
Color	5200K

Beamshot



Spectro Metric Analysis



MARIN FOTO

Knappevegen 24, 5337 RONG - NORWAY

Tlf: 92 02 32 48

www.marinfoto.no
marin@uvfoto.com





Electrical Specifications

Voltage 4 - 15V
Connection Triple O-ring Sealing Plug
Power 21W @ 12V
Emitter 7 x Cree XP-G
Driver Multi-voltage 4 - 15V
 Microprocessor controlled PWM
 100% and 50% dimmable
 Thermal protection
 Battery deep discharge protection
 'Bring Me Home' mode

Battery Burn Time

GFI I 12V 2.1Ah	70min
GFI II 12V 4.5Ah	140min
GFI III 12V 9Ah	280min

Material Specifications

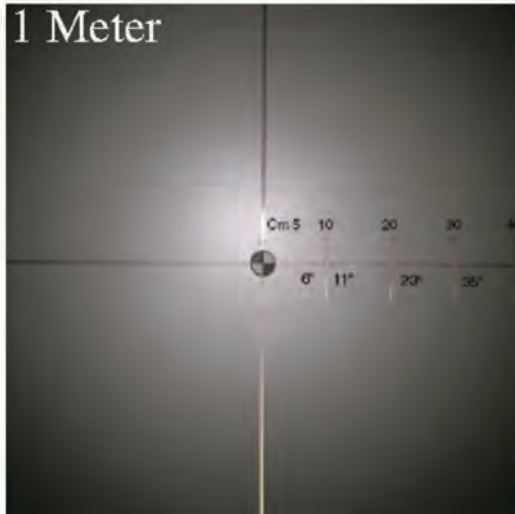
Body Treatment Aluminum AA6023 AlMgSiSnBi
 Black Hard anodization MIL-A-8625 Type III with Surlon MIL-A-63576 coating
Optics High efficiency Polycarbonate
Front Lens 10mm BK7 glass
Depth rating 250 m, 26 BAR
Weight 225g



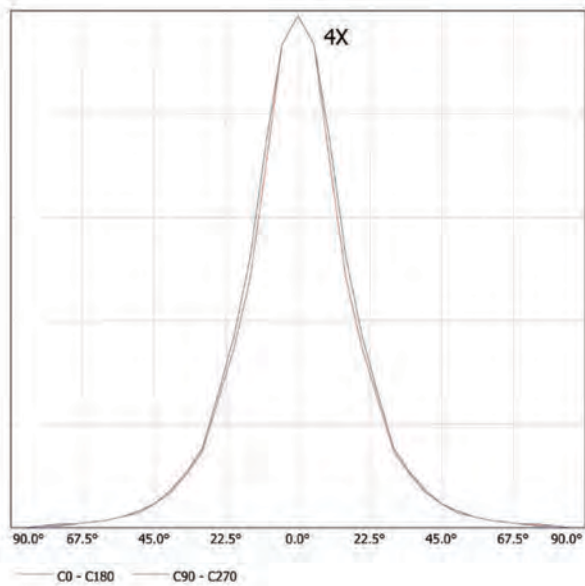
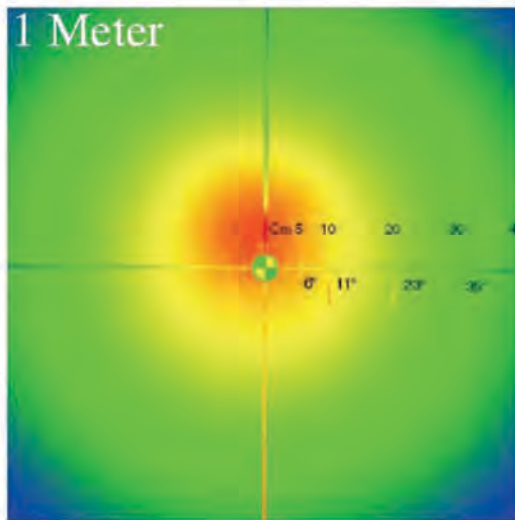
Optical Specifications

Luminous Flux	1800 lumen @ 12V
Illuminance	2600 lux @ 1m
Beam Angle	40°
Color	5200K

Beamshot



Spectro Metric Analysis



MARIN FOTO

Knappevegen 24, 5337 RONG - NORWAY

Tlf: 92 02 32 48

www.marinfoto.no
marin@uvfoto.com



Heptastar 1800 TOS 10° P

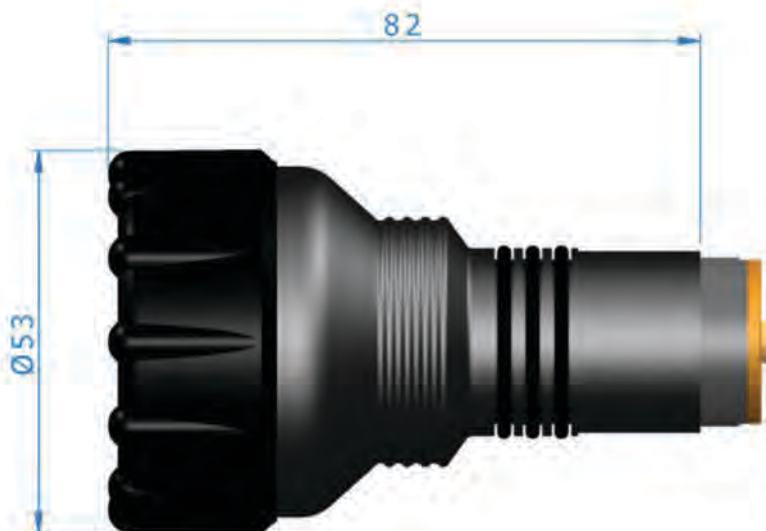


Electrical Specifications

Voltage	8V (0%) - 13V (100%)
Connection	Triple O-ring Sealing Plug
Power	21W @ full power
Emitter	7 x Cree XP-G
Driver	Microprocessor controlled PWM 0 - 100% linear dimming with GFI Dive Light Controller Thermal protection

Material Specifications

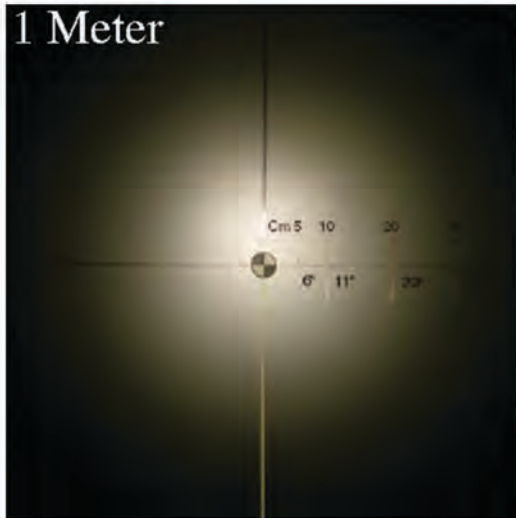
Body Treatment	Aluminum AA6023 AlMgSiSnBi Black Hard anodization MIL-A-8625 Type III with Surlon MIL-A-63576 coating
Optics	High efficiency Polycarbonate
Front Lens	10mm BK7 glass
Depth rating	250 m, 26 BAR
Weight	225g



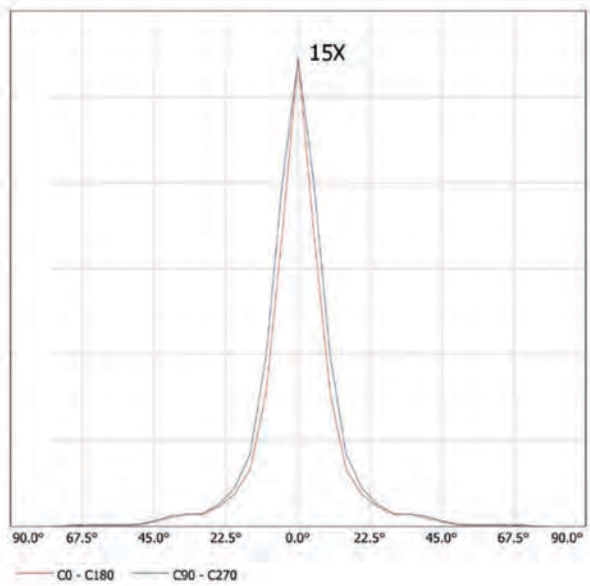
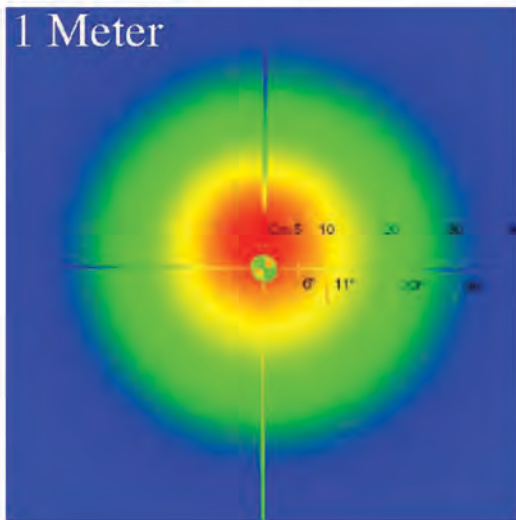
Optical Specifications

Luminous Flux	1800 lumen @ 12V
Illuminance	8300 lux @ 1m
Beam Angle	10°
Color	5200K

Beamshot



Spectro Metric Analysis



MARIN FOTO

Knappevegen 24, 5337 RONG - NORWAY

Tlf: 92 02 32 48

www.marinfoto.no
marin@uvfoto.com



Heptastar 1800 TOS 10° B



Electrical Specifications

Voltage	4 - 15V	
Connection	Triple O-ring Sealing Plug	
Power	21W @ 12V	
Emitter	7 x Cree XP-G	
Driver	Multi-voltage 4 - 15V Microprocessor controlled PWM 100% and 50% dimmable Thermal protection Battery deep discharge protection 'Bring Me Home' mode	

Battery Burn Time	GFI I 12V 2.1Ah	70min
	GFI II 12V 4.5Ah	140min
	GFI III 12V 9Ah	280min

Material Specifications

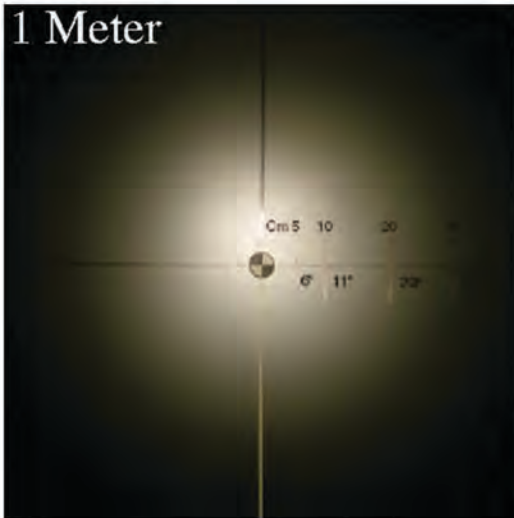
Body Treatment	Aluminum AA6023 AlMgSiSnBi Black Hard anodization MIL-A-8625 Type III with Surlon MIL-A-63576 coating
Optics	High efficiency Polycarbonate
Front Lens	10mm BK7 glass
Depth rating	250 m, 26 BAR
Weight	225g



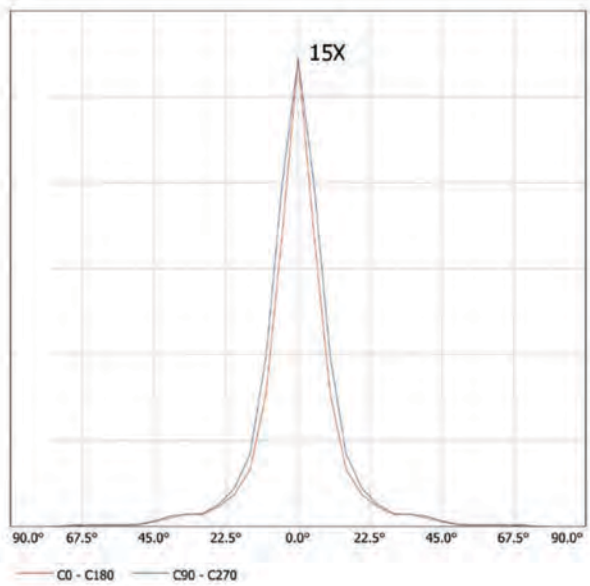
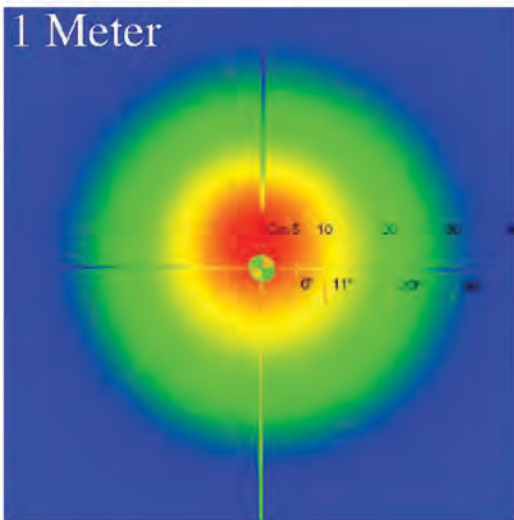
Optical Specifications

Luminous Flux	1800 lumen @ 12V
Illuminance	8300 lux @ 1m
Beam Angle	10°
Color	5200K

Beamshot



Spectro Metric Analysis



MARIN FOTO

Knappevegen 24, 5337 RONG - NORWAY

Tlf: 92 02 32 48

www.marinfoto.no
marin@uvfoto.com

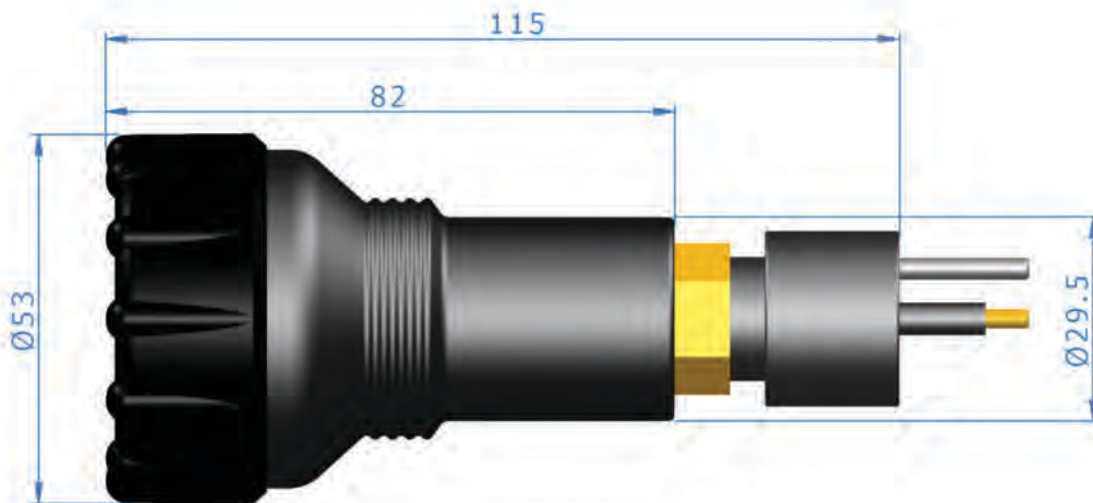


Heptastar 1800 BULK 40° P**Electrical Specifications**

Voltage	8V (0%) - 13V (100%)
Bulkhead	any with 7/16-20 UNF thread, standard BH2MP is mounted
Power	21W @ full power
Emitter	7 x Cree XP-G
Driver	Microprocessor controlled PWM 0 - 100% linear dimming with GFI Dive Light Controller Thermal protection

Material Specifications

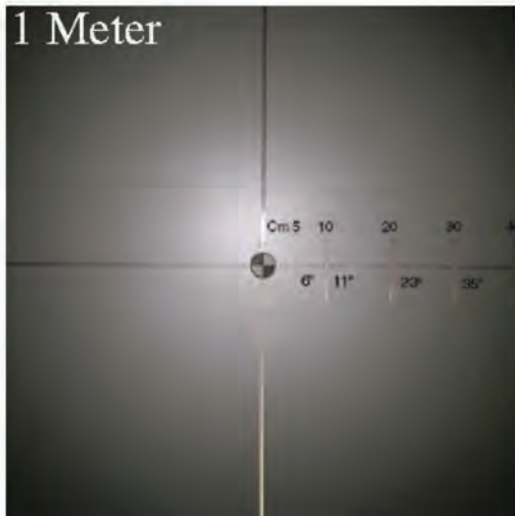
Body Treatment	Aluminum AA6023 AlMgSiSnBi Black Hard anodization MIL-A-8625 Type III with Surlon MIL-A-63576 coating
Optics	High efficiency Polycarbonate
Front Lens	10mm BK7 glass
Depth rating	250 m, 26 BAR
Weight	230g



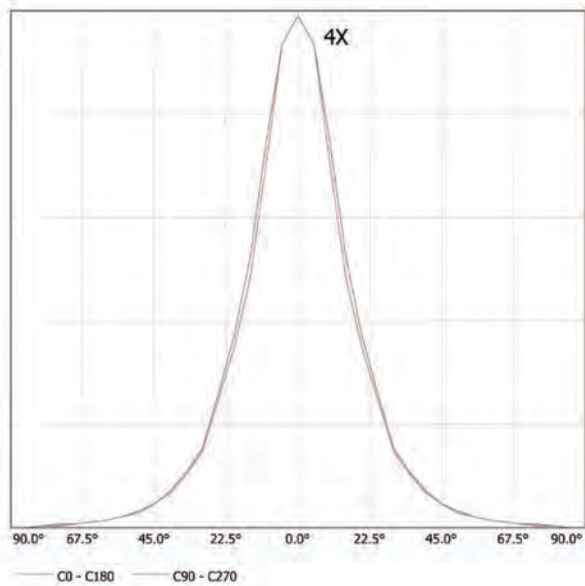
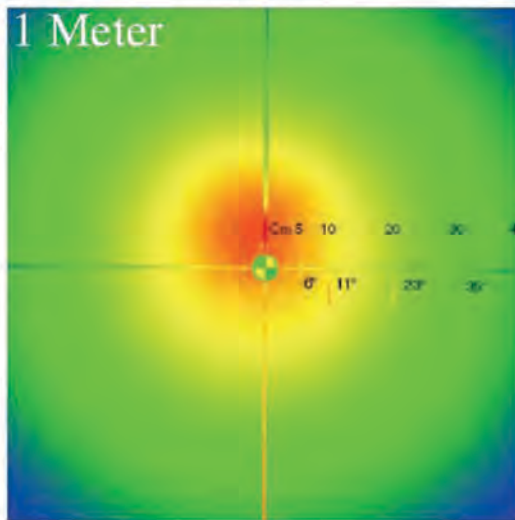
Optical Specifications

Luminous Flux	1800 lumen @ 12V
Illuminance	2600 lux @ 1m
Beam Angle	40°
Color	5200K

Beamshot



Spectro Metric Analysis



MARIN FOTO

Knappevegen 24, 5337 RONG - NORWAY

Tlf: 92 02 32 48

www.marinfoto.no
marin@uvfoto.com



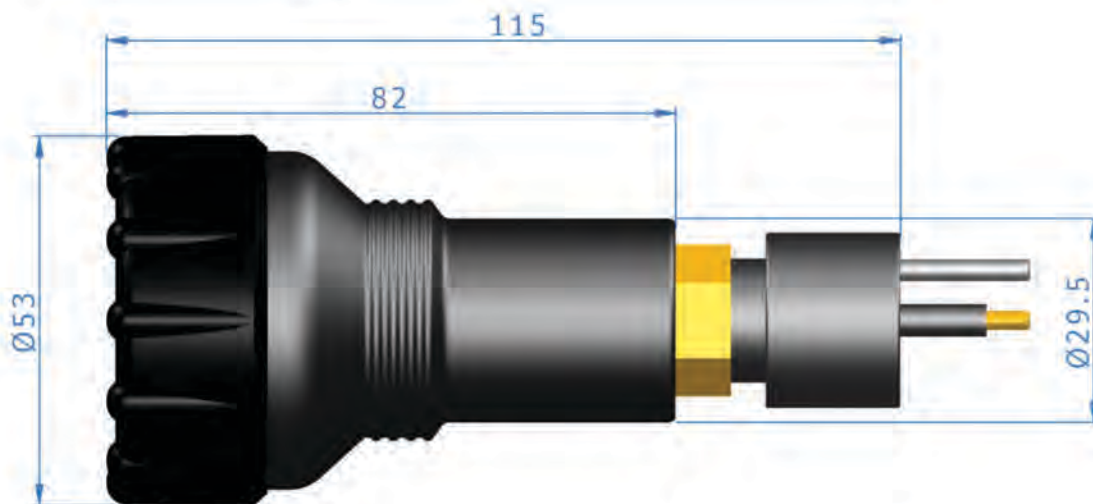
Heptastar 1800 BULK 40° B

Electrical Specifications

Voltage	4 - 15V	
Bulkhead	any with 7/16-20 UNF thread, standard BH2MP is mounted	
Power	21W @ 12V	
Emitter	7 x Cree XP-G	
Driver	Multi-voltage 4 - 15V Microprocessor controlled PWM 100% and 50% dimmable Thermal protection Battery deep discharge protection 'Bring Me Home' mode	
Battery Burn Time	GFI I 12V 2.1Ah	70min
	GFI II 12V 4.5Ah	140min
	GFI III 12V 9Ah	280min

Material Specifications

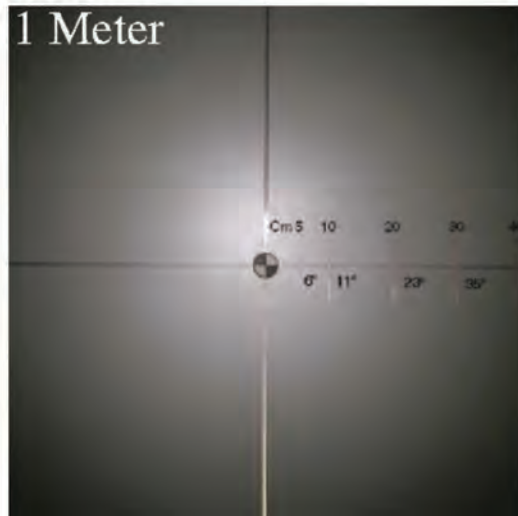
Body Treatment	Aluminum AA6023 AlMgSiSnBi Black Hard anodization MIL-A-8625 Type III with Surlon MIL-A-63576 coating
Optics	High efficiency Polycarbonate
Front Lens	10mm BK7 glass
Depth rating	250 m, 26 BAR
Weight	230g



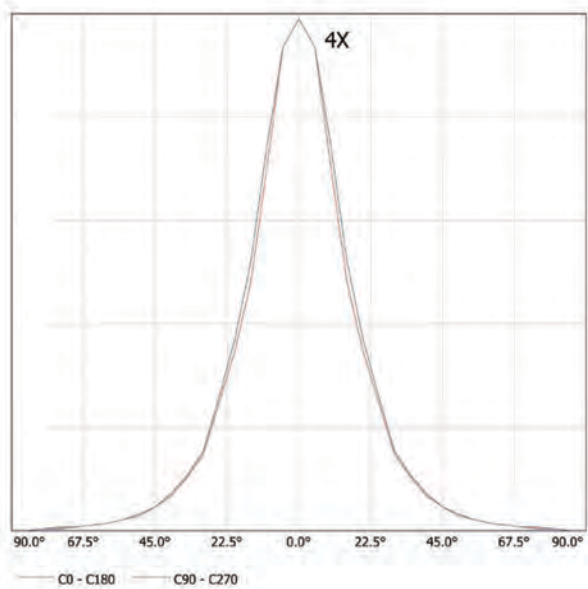
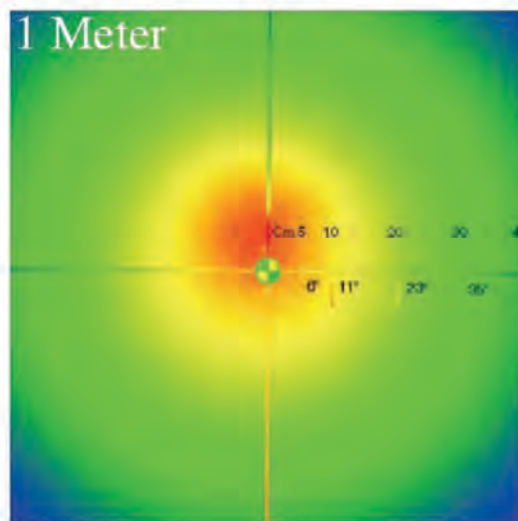
Optical Specifications

Luminous Flux	1800 lumen @ 12V
Illuminance	2600 lux @ 1m
Beam Angle	40°
Color	5200K

Beamshot



Spectro Metric Analysis



MARIN FOTO

Knappevegen 24, 5337 RONG - NORWAY

Tlf: 92 02 32 48

www.marinfoto.no
marin@uvfoto.com

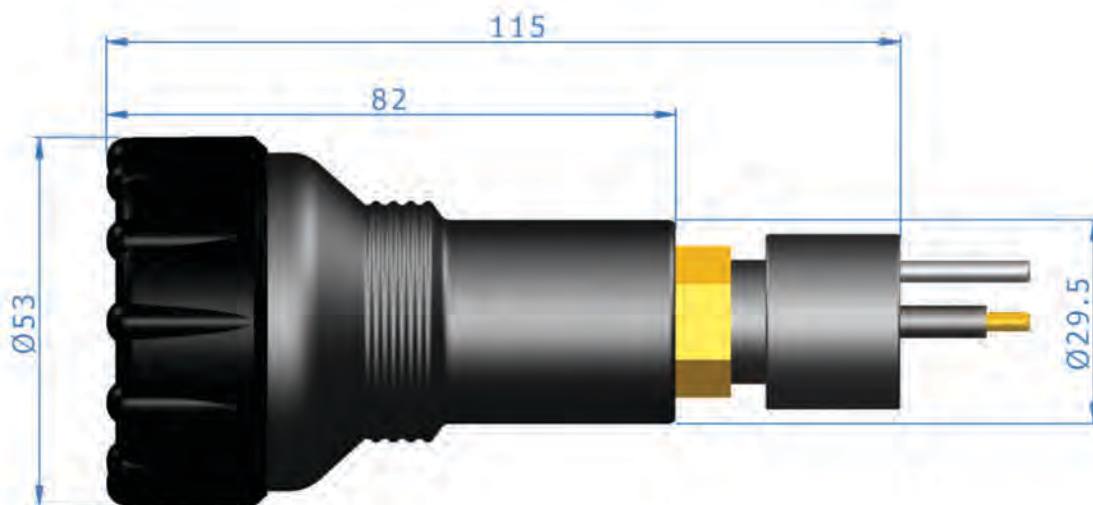


Heptastar 1800 BULK 10° P**Electrical Specifications**

Voltage	8V (0%) - 13V (100%)
Bulkhead	any with 7/16-20 UNF thread, standard BH2MP is mounted
Power	21W @ full power
Emitter	7 x Cree XP-G
Driver	Microprocessor controlled PWM 0 - 100% linear dimming with GFI Dive Light Controller Thermal protection

Material Specifications

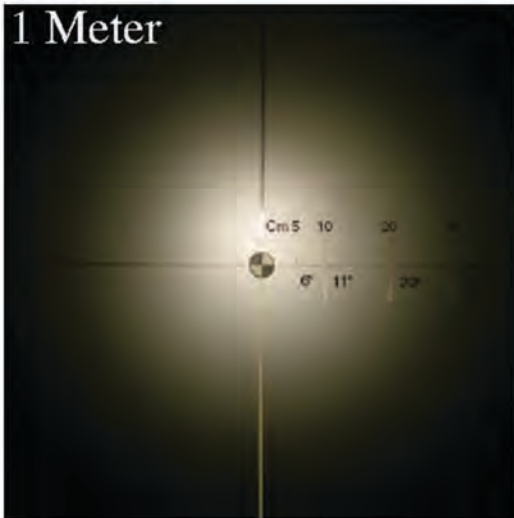
Body	Aluminum AA6023 AlMgSiSnBi
Treatment	Black Hard anodization MIL-A-8625 Type III with Surlon MIL-A-63576 coating
Optics	High efficiency Polycarbonate
Front Lens	10mm BK7 glass
Depth rating	250 m, 26 BAR
Weight	230g



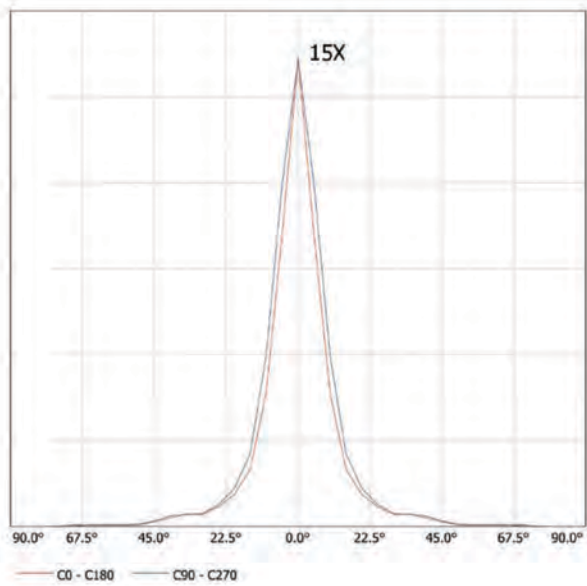
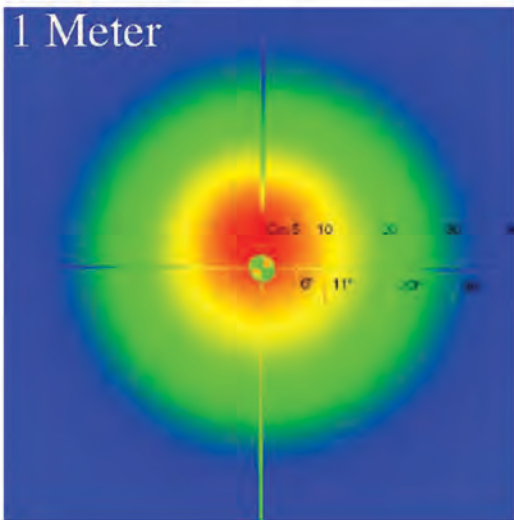
Optical Specifications

Luminous Flux	1800 lumen @ 12V
Illuminance	8300 lux @ 1m
Beam Angle	10°
Color	5200K

Beamshot



Spectro Metric Analysis



MARIN FOTO

Knappevegen 24, 5337 RONG - NORWAY

Tlf: 92 02 32 48

www.marinfoto.no
marin@uvfoto.com



Heptastar 1800 BULK 10° B

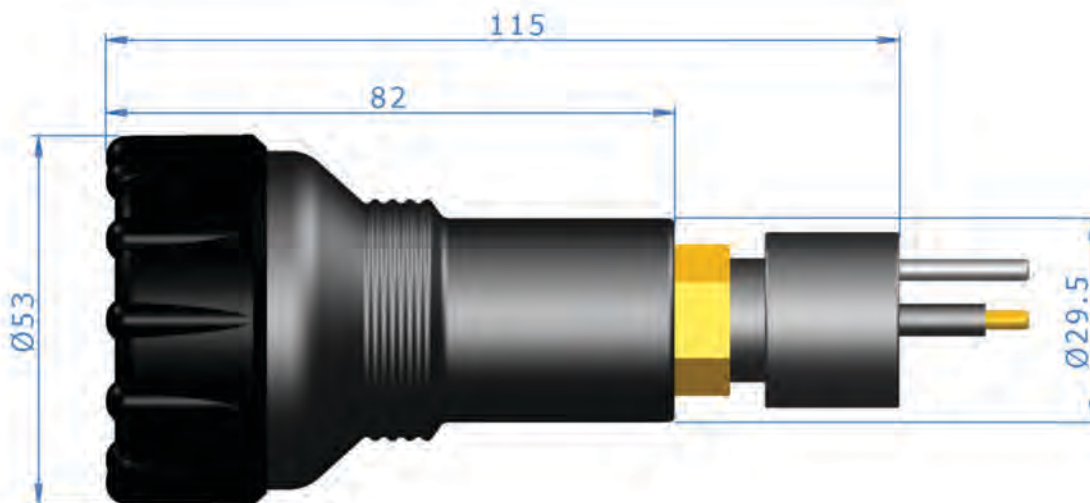
Electrical Specifications

Voltage	4 - 15V	
Bulkhead	any with 7/16-20 UNF thread, standard BH2MP is mounted	
Power	21W @ 12V	
Emitter	7 x Cree XP-G	
Driver	Multi-voltage 4 - 15V Microprocessor controlled PWM 100% and 50% dimmable Thermal protection Battery deep discharge protection 'Bring Me Home' mode	

Battery Burn Time	GFI I 12V 2.1Ah	70min
	GFI II 12V 4.5Ah	140min
	GFI III 12V 9Ah	280min

Material Specifications

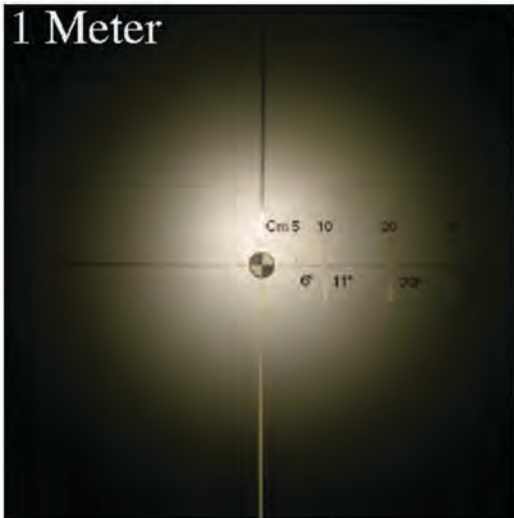
Body Treatment	Aluminum AA6023 AlMgSiSnBi Black Hard anodization MIL-A-8625 Type III with Surlon MIL-A-63576 coating
Optics	High efficiency Polycarbonate
Front Lens	10mm BK7 glass
Depth rating	250 m, 26 BAR
Weight	230g



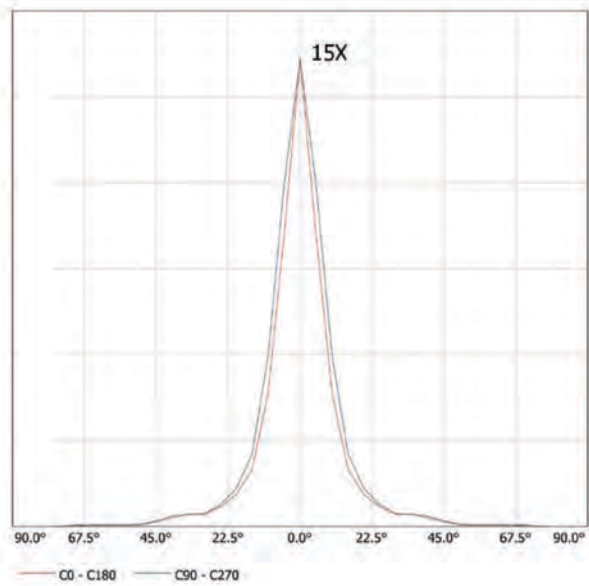
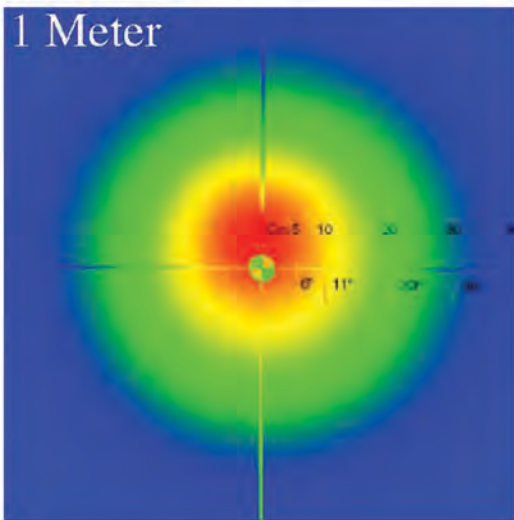
Optical Specifications

Luminous Flux	1800 lumen @ 12V
Illuminance	8300 lux @ 1m
Beam Angle	10°
Color	5200K

Beamshot



Spectro Metric Analysis



MARIN FOTO

Knappevegen 24, 5337 RONG - NORWAY

Tlf: 92 02 32 48

www.marinfoto.no
marin@uvfoto.com

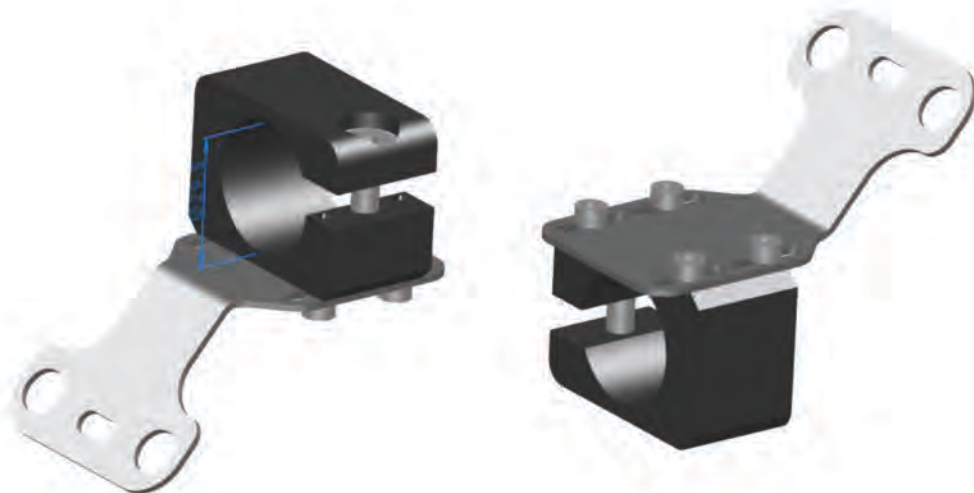


Helmet Mount Pro

Material Specifications

Clamp
Bracket
Depth rating
Weight

Polyacetal POM
Inox 216
250 m, 26 BAR
80g



Designed for 29.5mm GFI lights, fits most commercial diving helmets



Goodman Handle Soft

Specifications

Handle	Inox 216 plate and elastic webbing strap	
Clamp	Polyacetal POM	
Screws	Inox 216	
Depth rating	250 m, 26 BAR	
Weight	80g	
Option	Elastic replacement strap	2.094

Designed for 29.5mm GFI lights



Goodman handle Alu

Specifications

Handle Black Hard Anodized Aluminum and Polyacetal POM
Clamp Polyacetal POM
Screws Inox 216

Depth rating 250 m, 26 BAR

Width inside 117mm
Height inside 30 to 45mm adjustable
Weight 177g

Designed for 29.5mm GFI lights



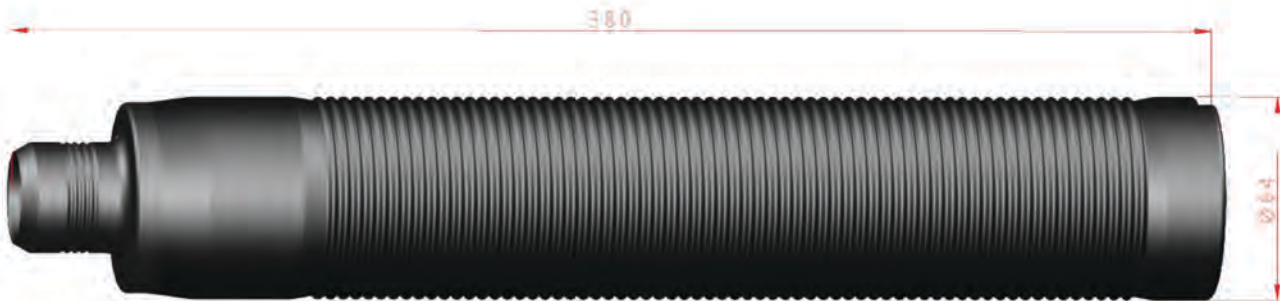


Product Bulletin 8.246 v1.0

GFI III Battery pack

Specifications

Chemistry	NiMH Low Self Discharge	
Voltage	12V (20 cells)	
Capacity	9 Ah	
Housing	Polyacetal Delrin	
Depth rating	21 BAR (200m)	
Weight	2015g	
Options	Belt Clip GFI III	8.253
	Handle	7.422



www.gf-industrial.com

MARIN FOTO

marin@gf-industrial.com

Knappevegen 24, 5337 RONG - NORWAY

GF Industrial

Tilfjellveien 48,

9320 Erembodegem, Belgium

www.marinfoto.no

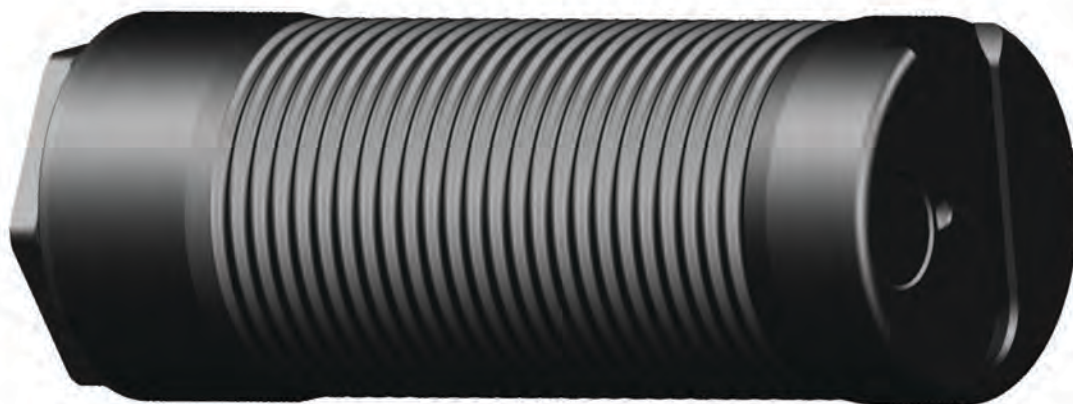
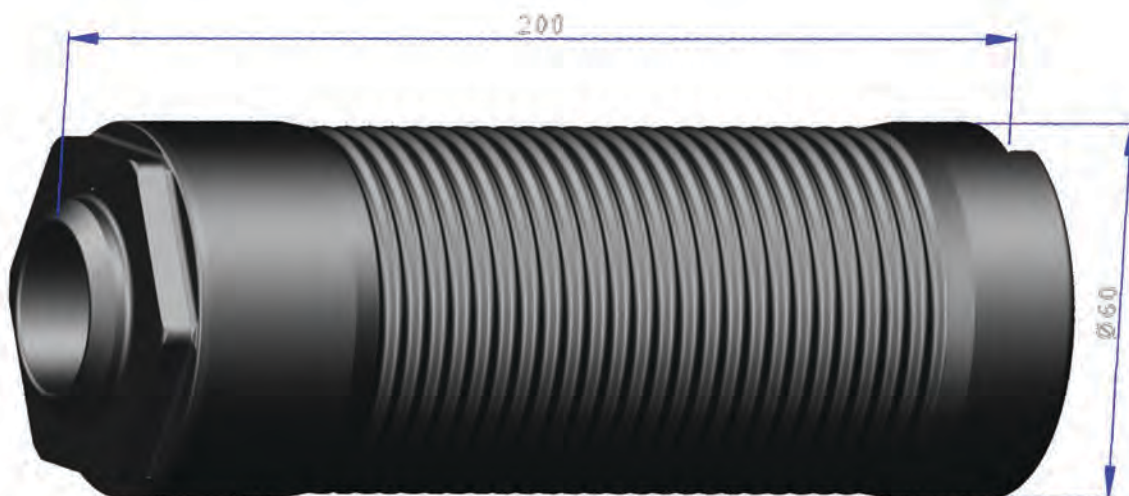
marin@uvfoto.com



GFI II Battery pack

Specifications

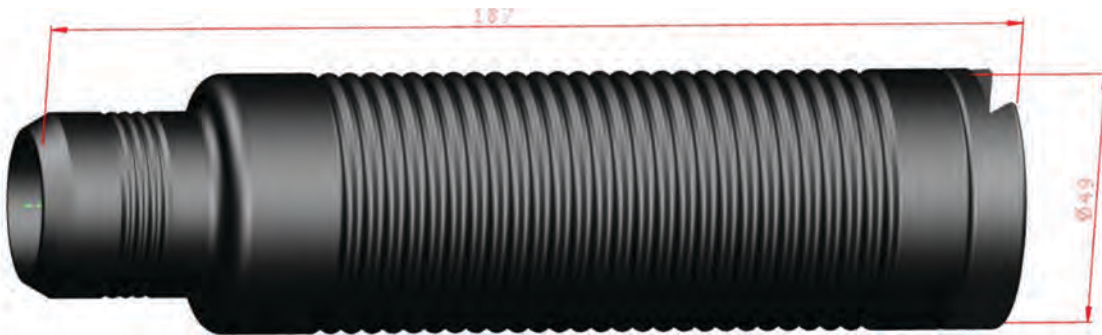
Chemistry	NiMH Low Self Discharge	
Voltage	12V (10 cells)	
Capacity	4.5 Ah	
Housing	ABS	
Depth rating	21 BAR (200m)	
Weight	910g	
Options	Belt Clip GFI II	8.252
	Handle	7.422
	Replacement battery pack	8.255



GFI I Battery pack

Specifications

Chemistry	NiMH Low Self Discharge
Voltage	12V (10 cells)
Capacity	2.1 Ah
Housing	ABS
Depth rating	21 BAR (200m)
Weight	460g
Options	Belt Clip GFI I 8.251
	Handle 7.422
	Lanyard Bracket 7.375
	Replacement battery pack 8.254



GFI Charger

Specifications

Input Output Features

100 - 240 VAC 50/60Hz 1A
2.4 - 14.4 VDC CC 1A
auto switching output
auto cut off when battery is fully charged (-delta V)
MCU controlled charge
over charge, short circuit and reverse connect protected
dual color (red/green) LED for easy status readout
97x45x29mm

Size

Charging time

GFI I (2.1Ah) max 2.5 hrs
GFI II (4.5Ah) max 5 hrs
GFI I (9Ah) max 10 hrs

Option

Charging plug GFI 7.852

Versions

GFI Charger with EU plug 8.248
GFI Charger with UK plug 8.249
GFI Charger with US plug 8.250

EU version

